



Investigation of thermal protection systems for hybrid rocket motors

Massimo Franco

Università degli Studi di Padova
Centro di Ateneo degli Studi e Attività Spaziali "Giuseppe Colombo"

□ Introduction

- Hybrid rocket motors
- Thermal protection systems

□ Experimental analysis

- Materials choice
- Experimental set-up
- Test matrix
- Test bench

□ Experimental results

- Graphite erosion
- Cotton-phenolic erosion
- Materials interaction
- Temperature data

□ 1D ablation model

□ Future work

□ Introduction

- Hybrid rocket motors
- Thermal protection systems

□ Experimental analysis

- Materials choice
- Experimental set-up
- Test matrix
- Test bench

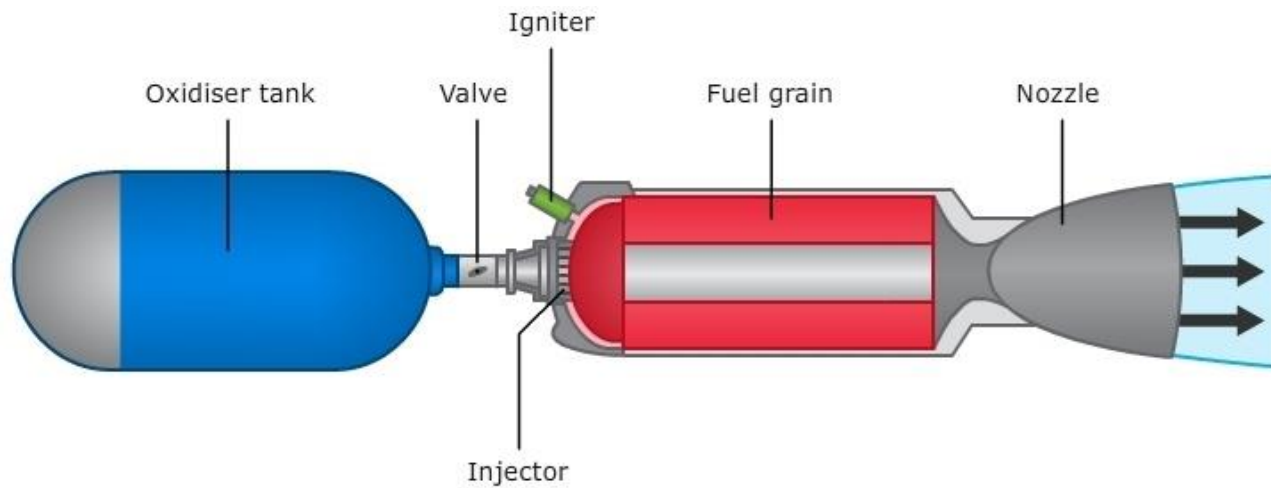
□ Experimental results

- Graphite erosion
- Cotton-phenolic erosion
- Materials interaction
- Temperature data

□ 1D ablation model

□ Future work

Hybrid Rocket Motors



Advantages

- Safety
- **Low costs**
- **Simplicity**
- Green propellants
- Oxidizer flow control
- ➔ Mission abort and **throttability**

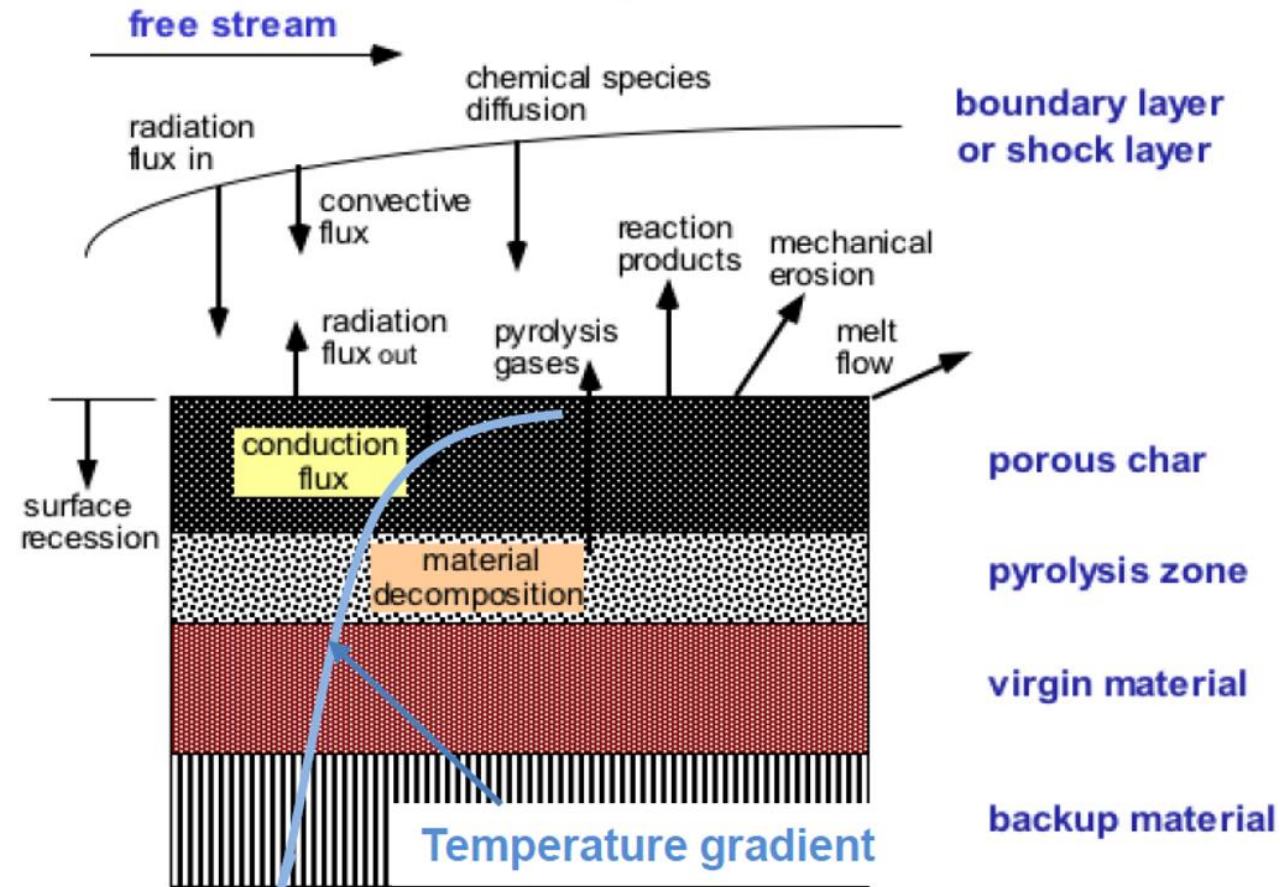
Disadvantages

- Low regression rates
- ➔ Low volumetric efficiency
- Combustion efficiency
- **High oxygen content**

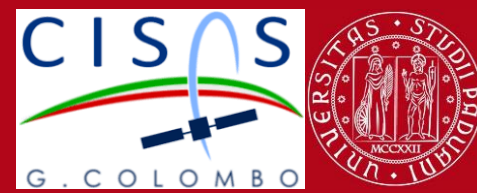
Passive cooling systems



General concepts



Outline



□ Introduction

- Hybrid rocket motors
- Thermal protection systems

□ **Experimental analysis**

- Materials choice
- Experimental set-up
- Test matrix
- Test bench

□ Experimental results

- Graphite erosion
- Cotton-phenolic erosion
- Materials interaction
- Temperature data

□ 1D ablation model

□ Future work

POLYCRISTALLINE GRAPHITE

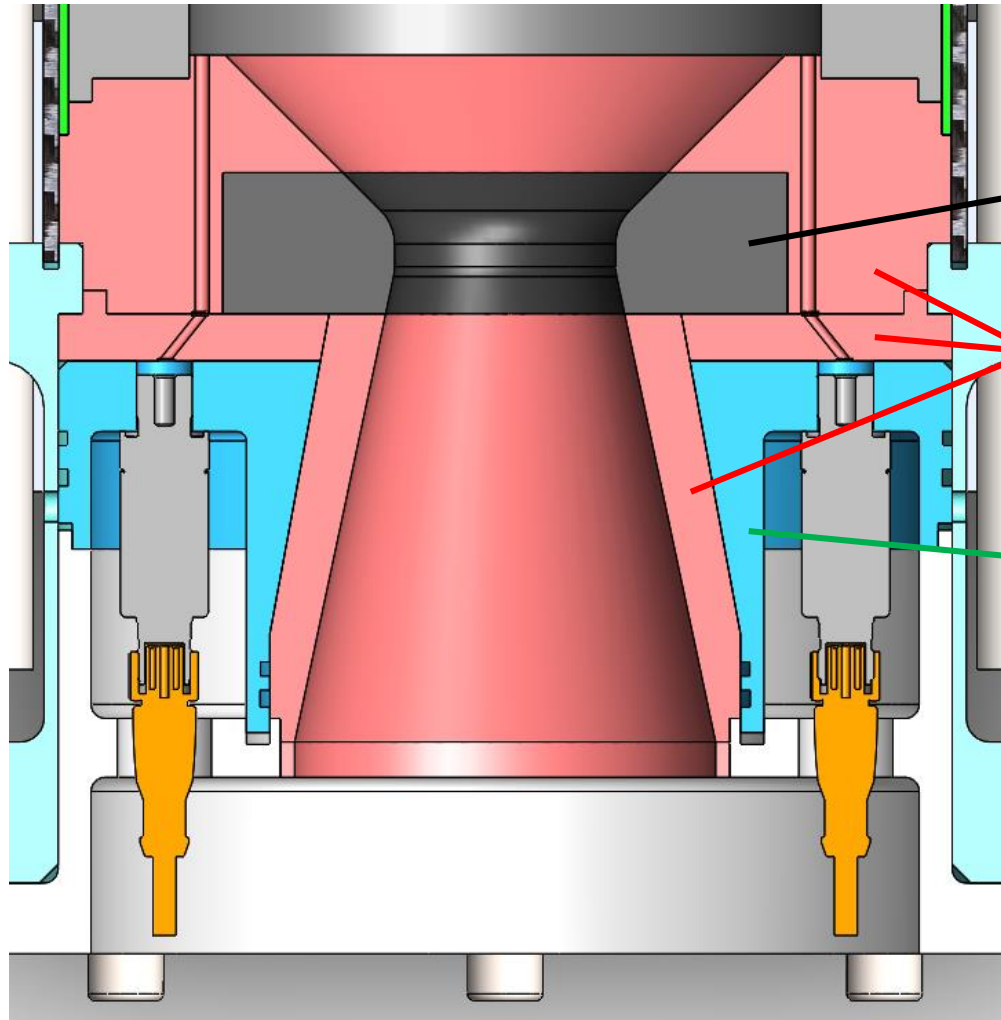


COTTON PHENOLIC



Experimental set-up

Configuration 1

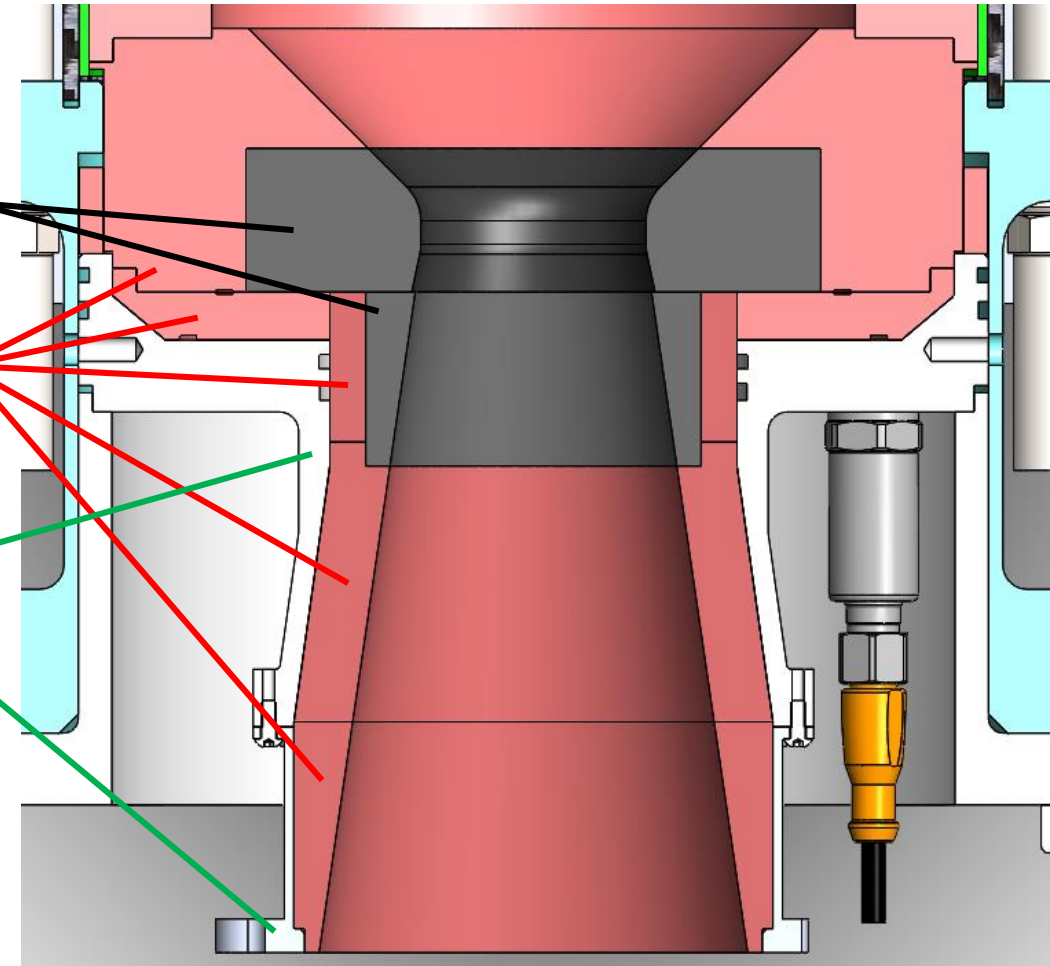


GRAPHITE

COTTON
PHENOLIC

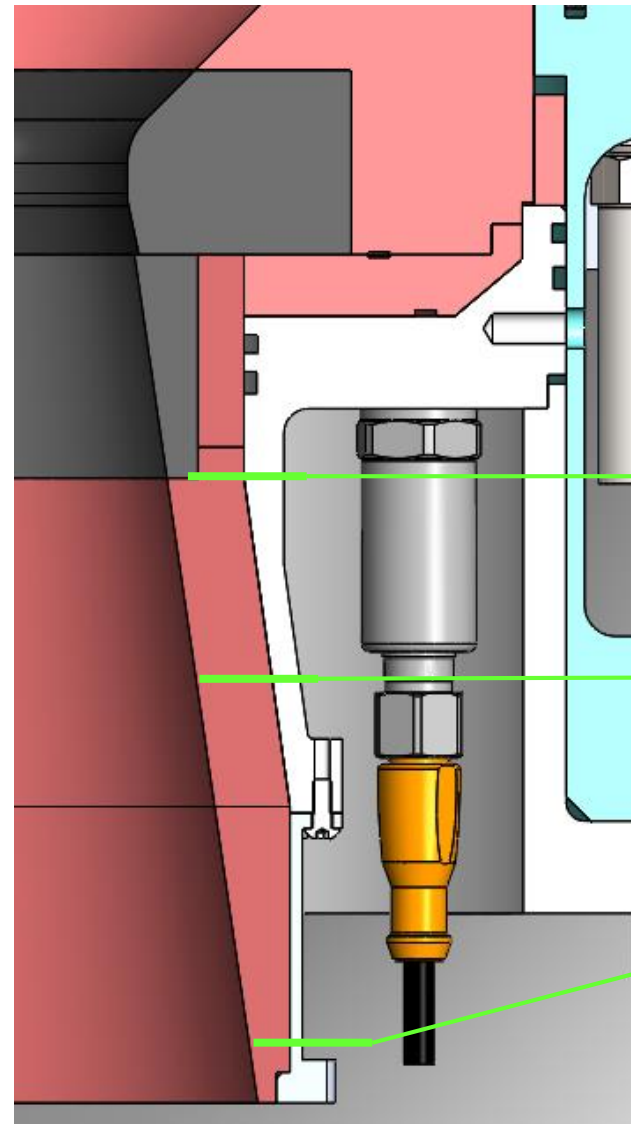
C40

Configuration 2



Test matrix

Test number	configuration	burning time [s]
1	1	7
2	1	15
3	1	15
4	2	20
5	2	24.5



Thermocouples position

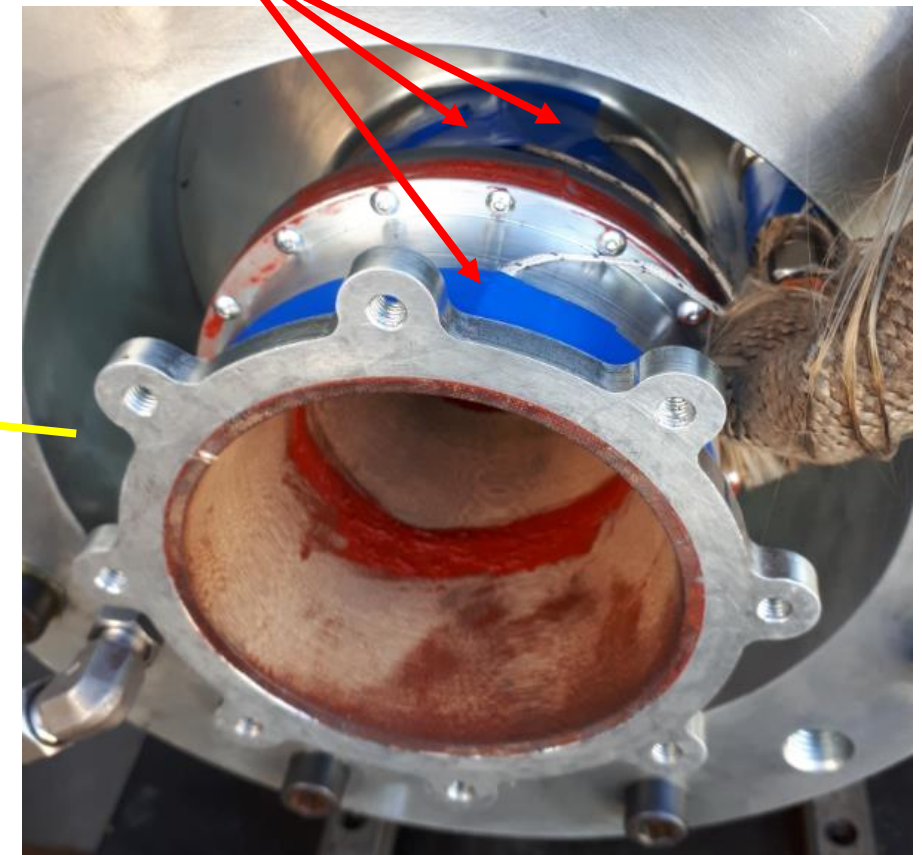
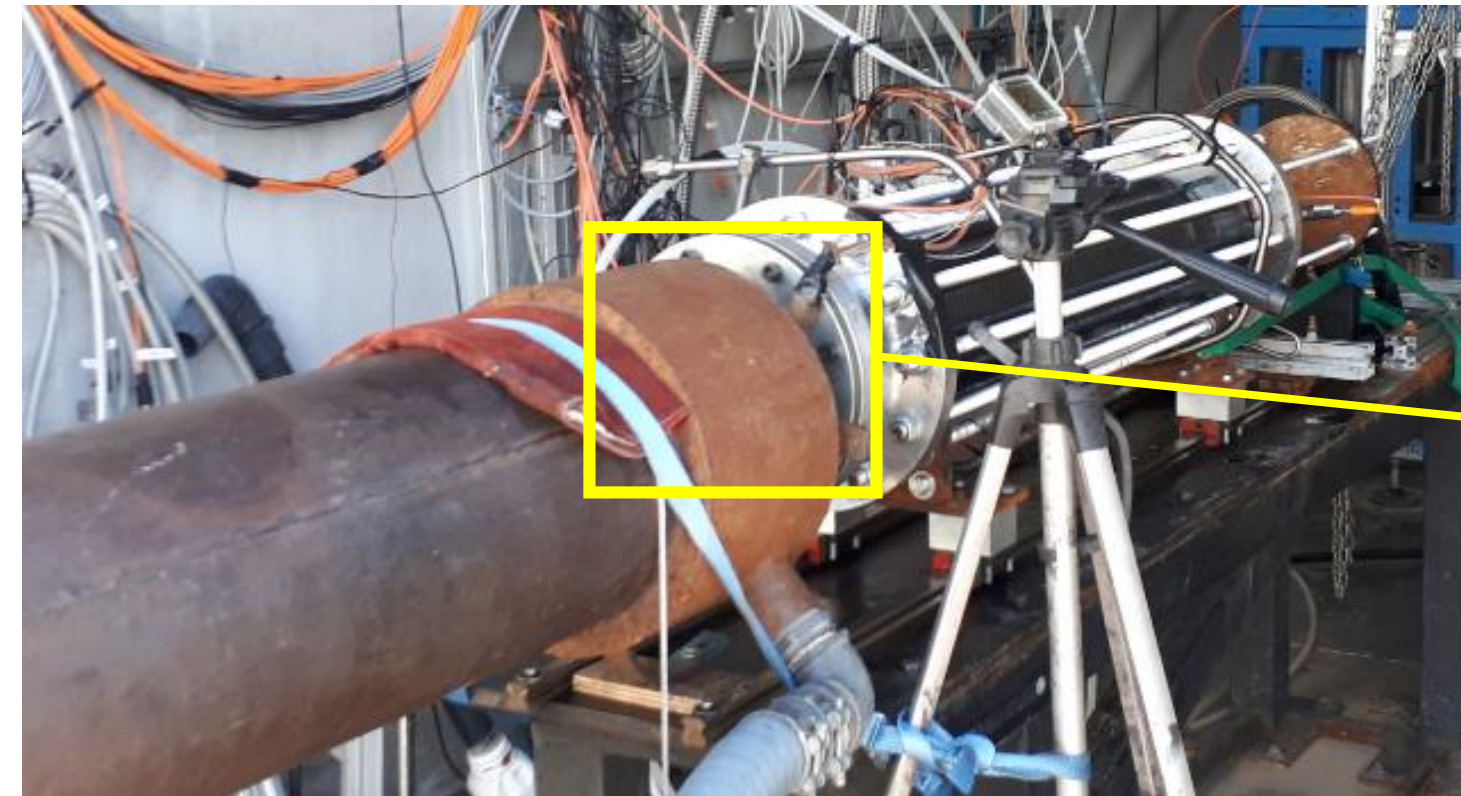
NOZZLE UP

NOZZLE MIDDLE

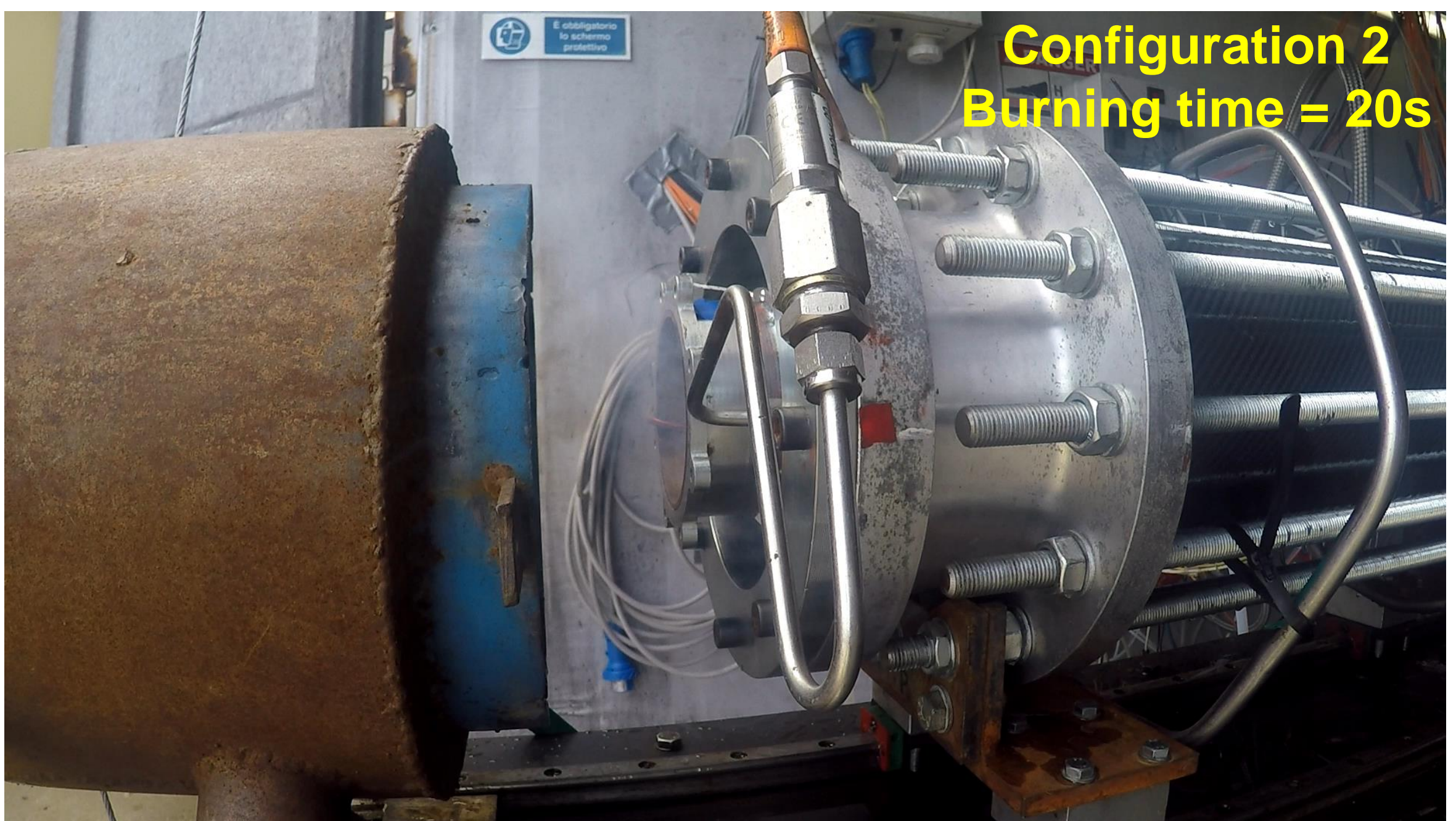
NOZZLE DOWN

- Chamber pressure \cong 20 bar
- Oxidizer mass flow rate = 2 kg/s
- O/F \cong 6

Thermocouples

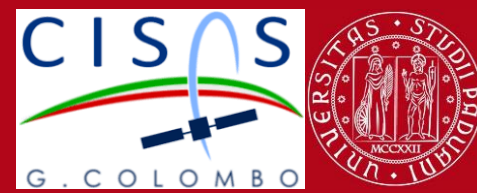


Configuration 2
Burning time = 20s



E obbligatorio lo schermo protettivo

Outline



□ Introduction

- Hybrid rocket motors
- Thermal protection systems

□ Experimental analysis

- Materials choice
- Experimental set-up
- Test matrix
- Test bench

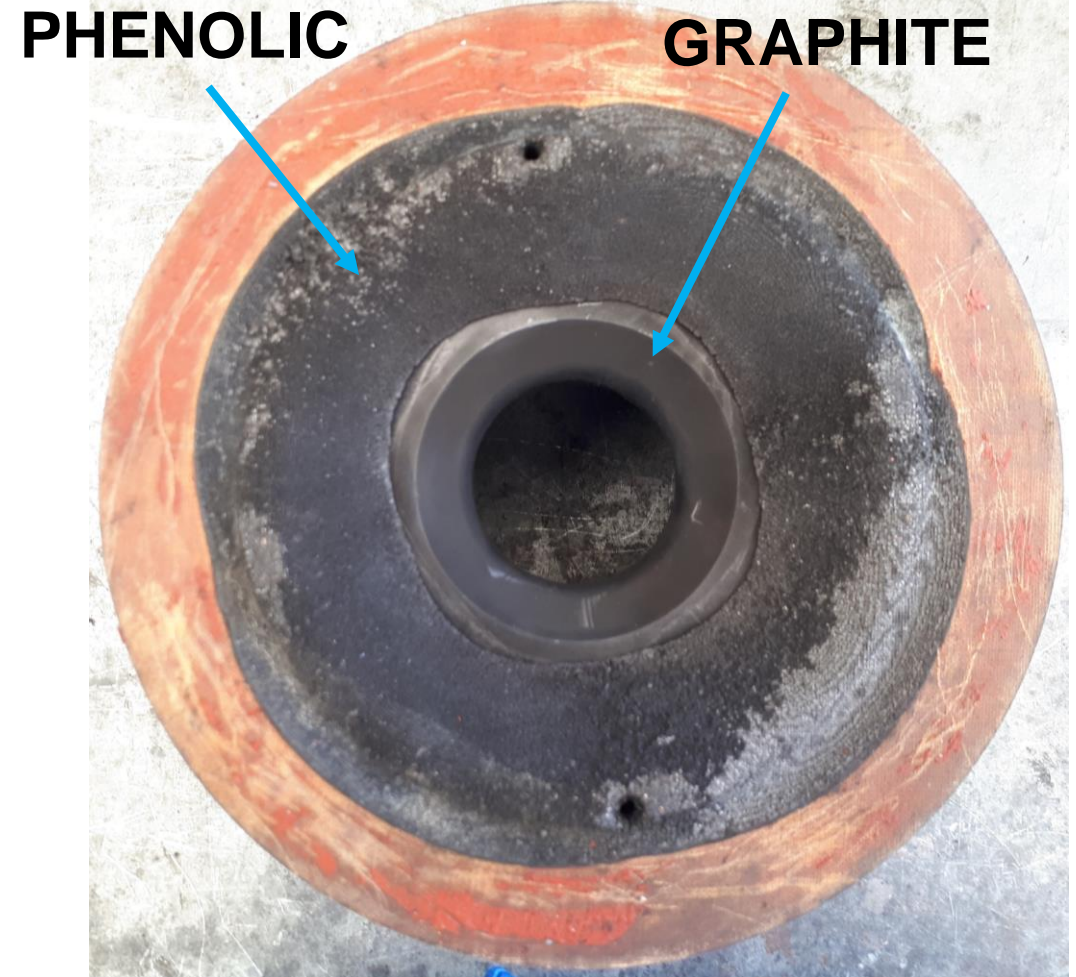
□ Experimental results

- Graphite erosion
- Cotton-phenolic erosion
- Materials interaction
- Temperature data

□ 1D ablation model

□ Future work

Experimental results



Graphite erosion

TEST #1, $t_b = 7s$



TEST #2, $t_b = 15s$



Graphite erosion

TEST #3, $t_b = 15s$



TEST #4, $t_b = 20s$



Graphite erosion

TEST #5, $t_b = 24.5s$



TEST #5, $t_b = 24.5s$



Graphite erosion

Test number	configuration	burning time [s]	Erosion rate [mm/s]	Pressure drop [bar]
1	1	7	0	0
2	1	15	<u>0.0138</u>	0.35 → O/F = 4.83
3	1	15	<u>0.0516</u>	0.81 → O/F = 5.68
4	2	20	0.0552	1.68
5	2	24.5	0.0612	2.25



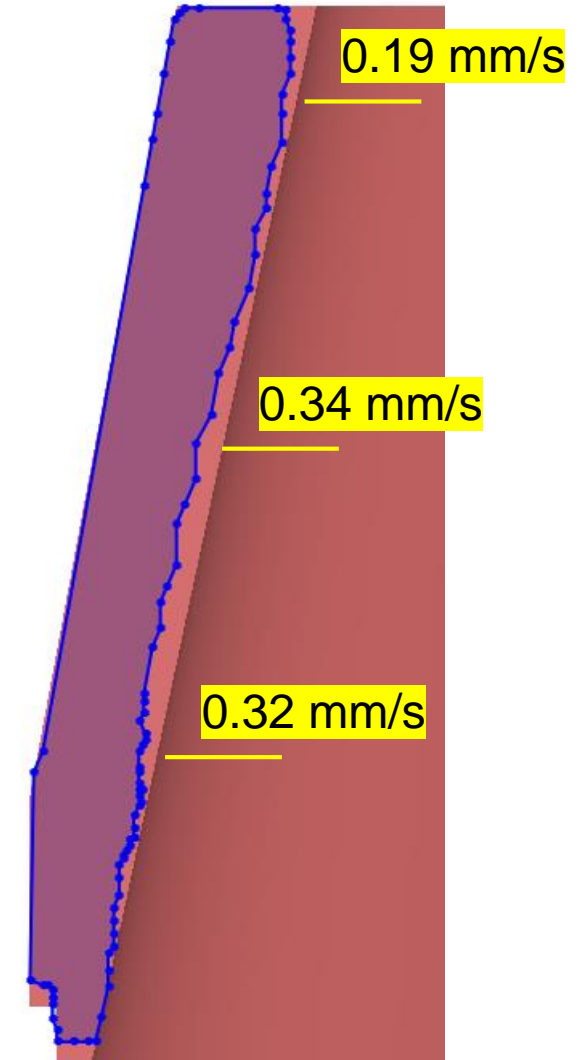
Cotton phenolic erosion

General considerations



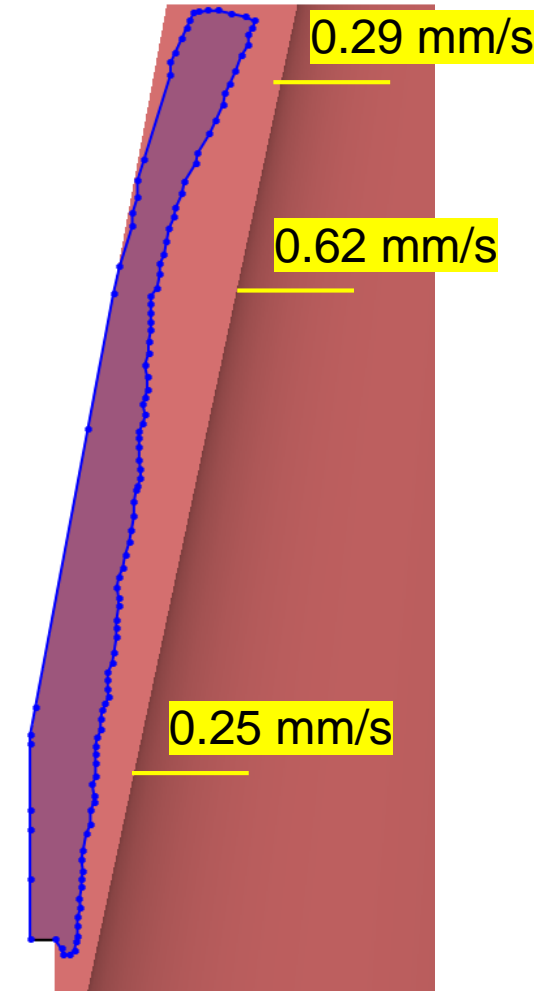
Cotton phenolic erosion

TEST 1, $t_b = 7s$
CONFIGURATION 1



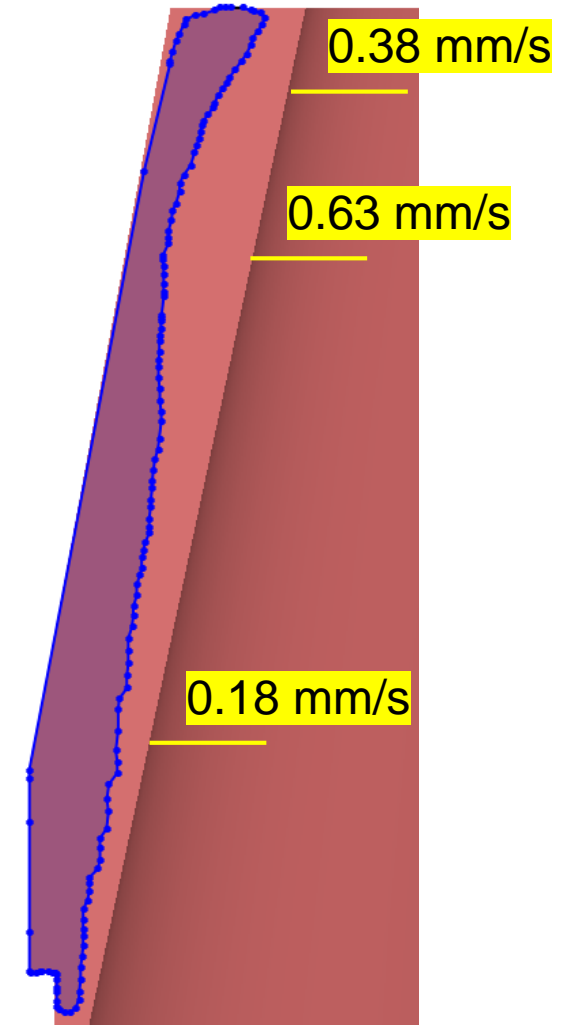
Cotton phenolic erosion

TEST 2, $t_b = 15s$
CONFIGURATION 1



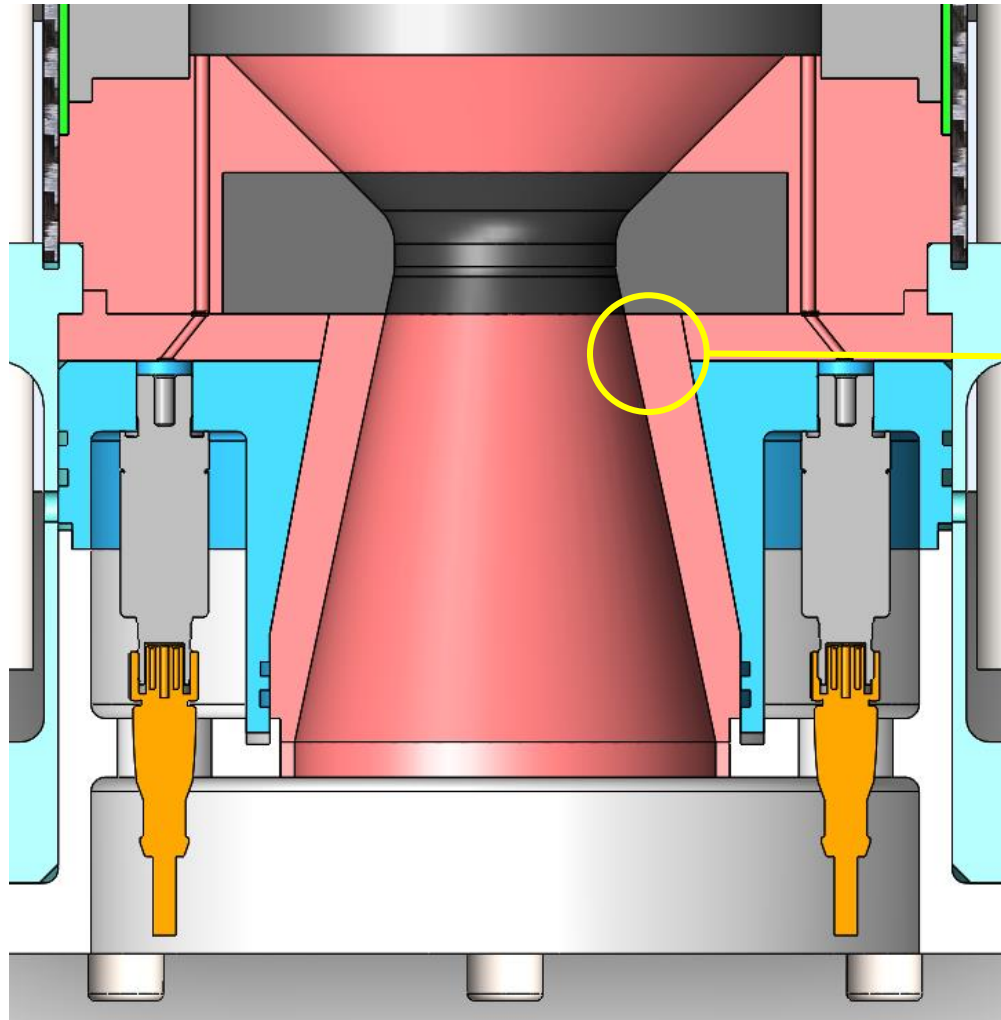
Cotton phenolic erosion

TEST 3, $t_b = 15s$
CONFIGURATION 1

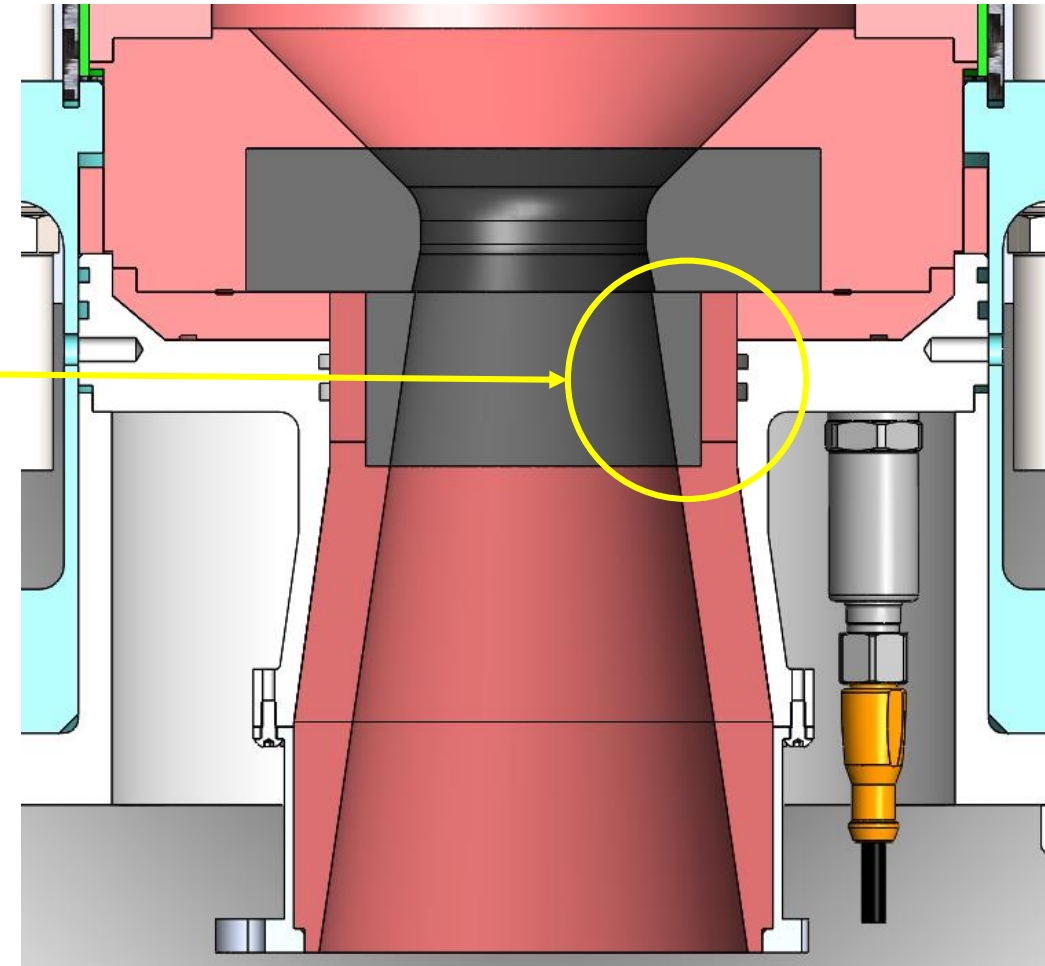


Cotton phenolic erosion

Configuration 1

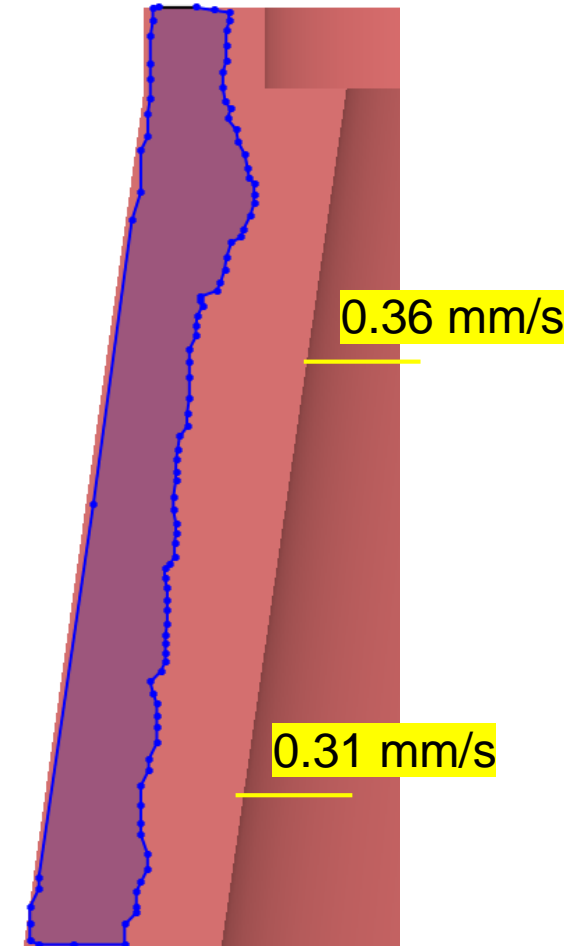


Configuration 2

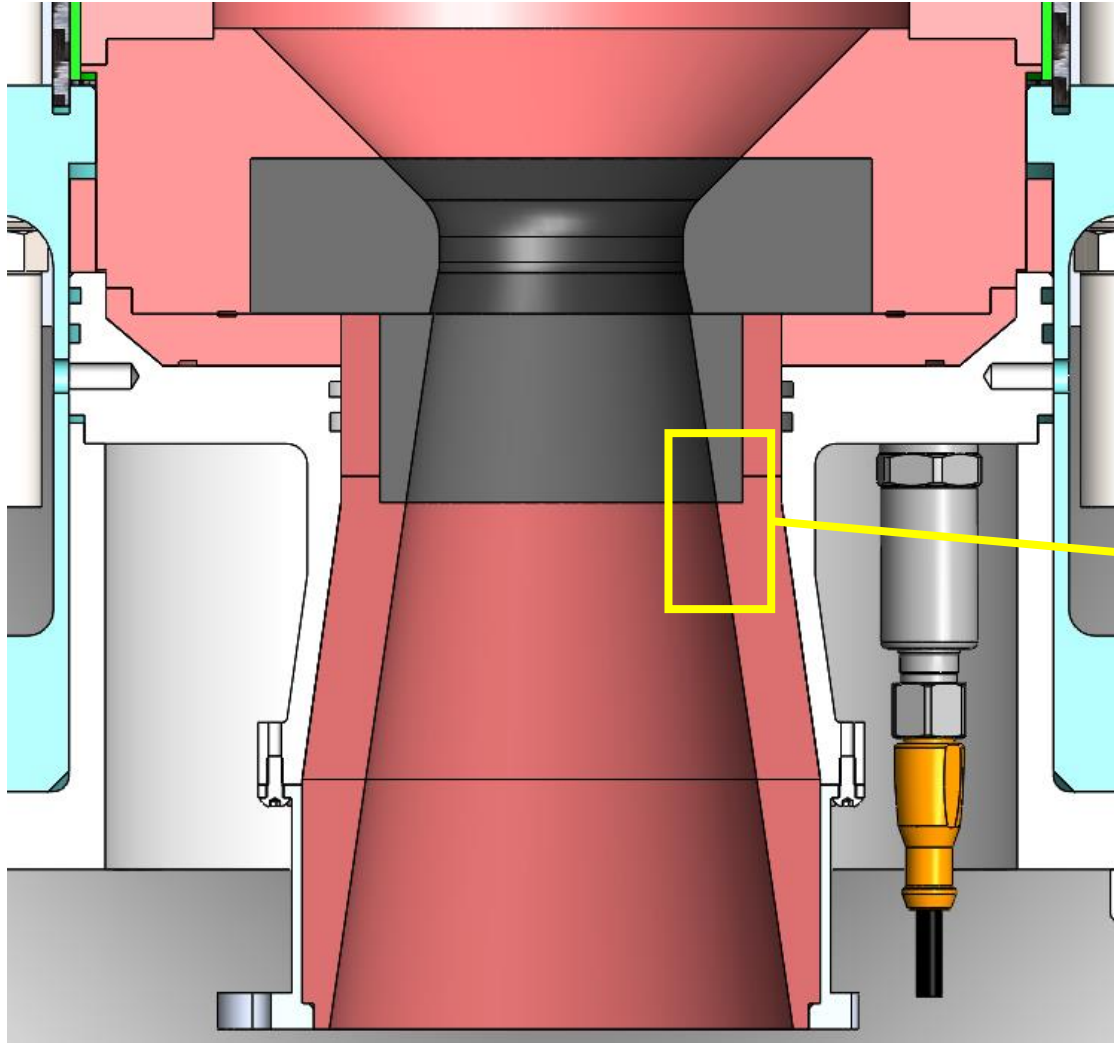


Cotton phenolic erosion

TEST 4, $t_b = 20s$
CONFIGURATION 2

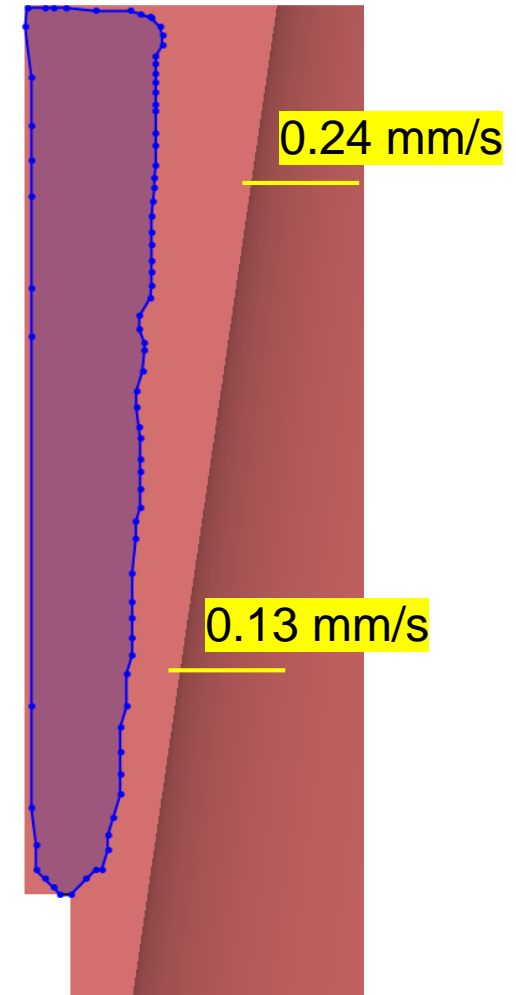


Materials interaction



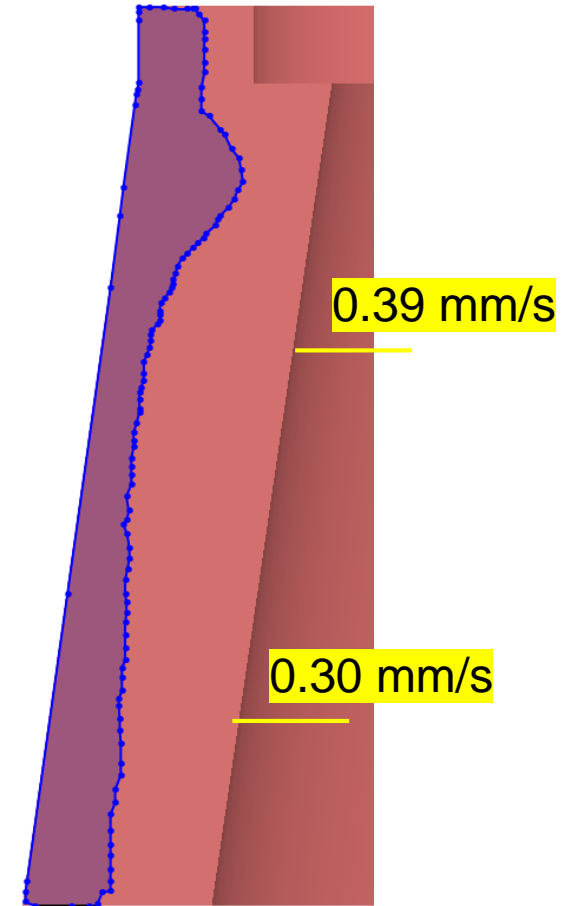
Cotton phenolic erosion

TEST 4, $t_b = 20s$
CONFIGURATION 2



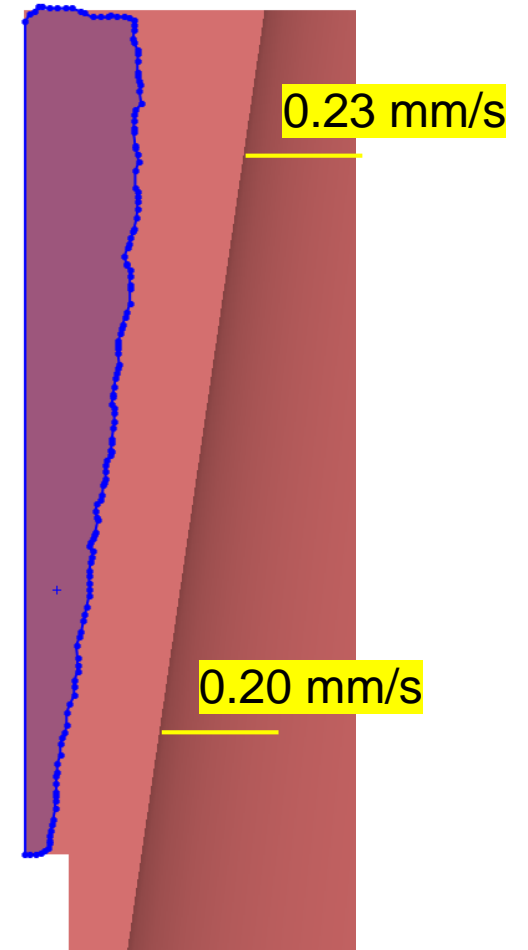
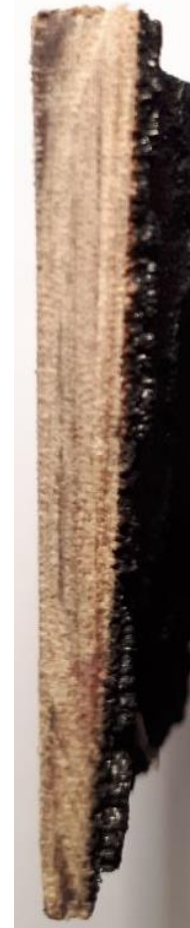
Cotton phenolic erosion

TEST 4, $t_b = 24.5s$
CONFIGURATION 2



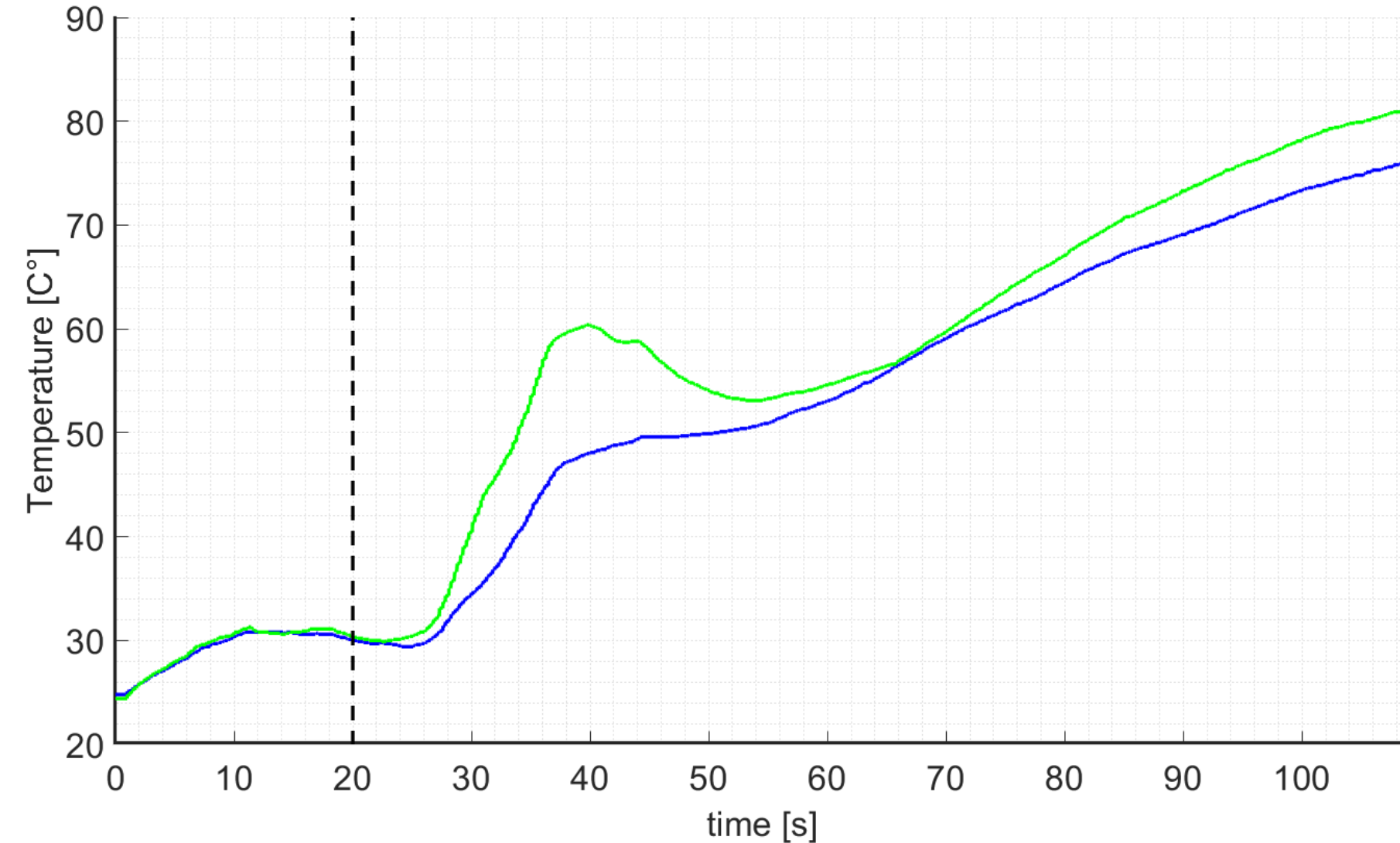
Cotton phenolic erosion

TEST 5, $t_b = 24.5s$
CONFIGURATION 2

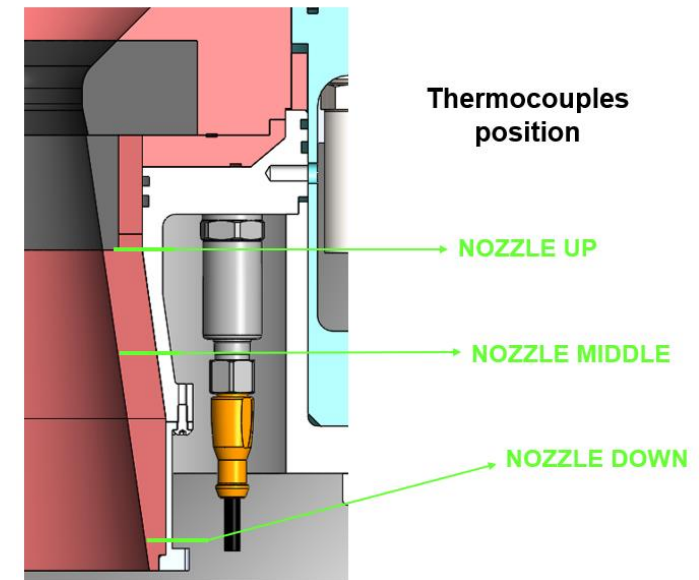


Temperature data

Test 4

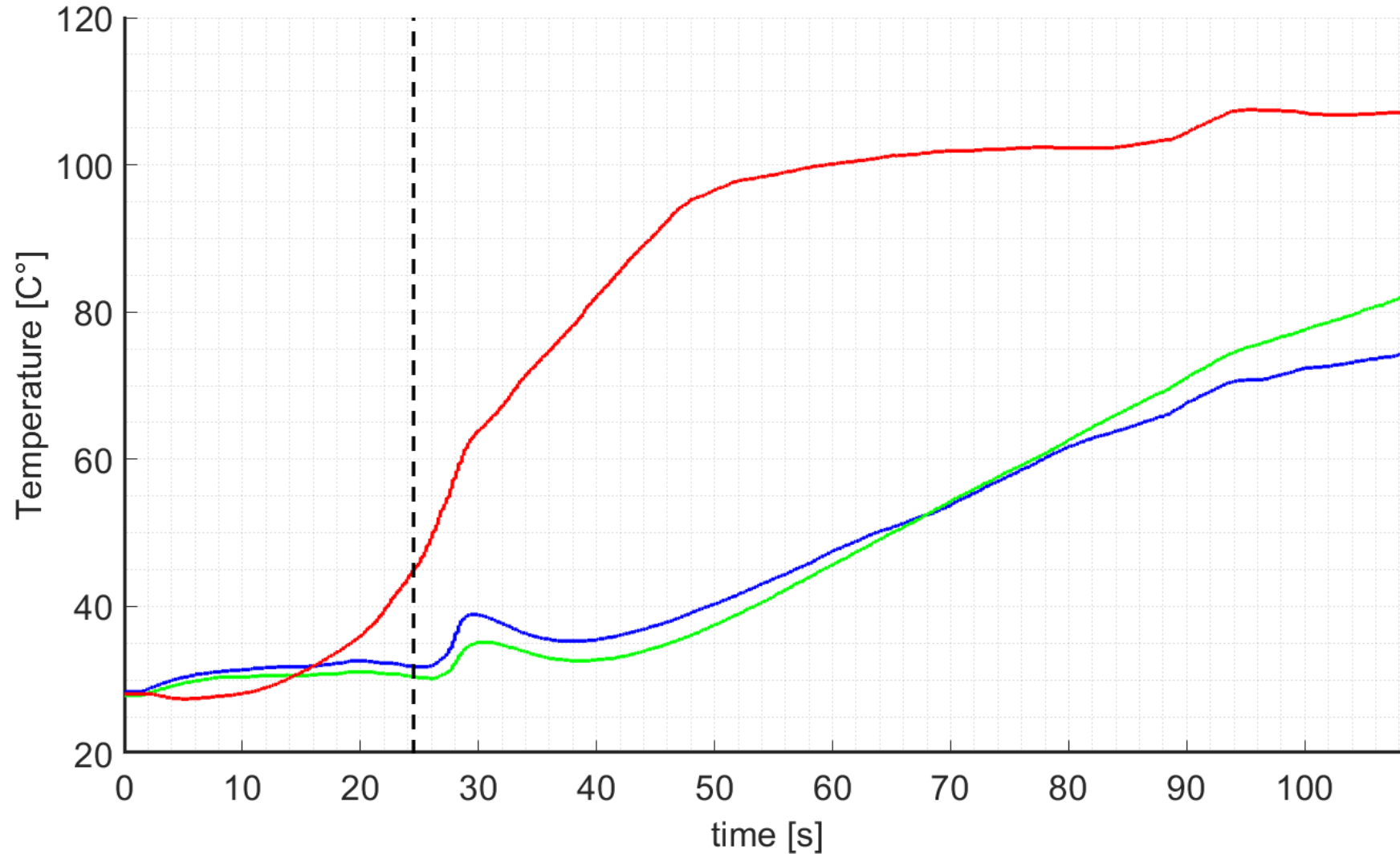


— Nozzle up
— Nozzle middle
- - t burning = 20 [s]

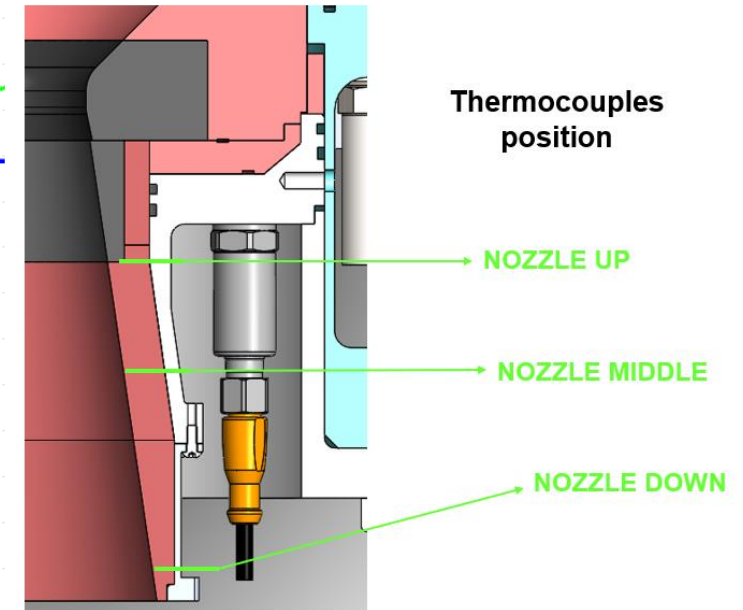


Temperature data

Test 5



— Nozzle up
— Nozzle middle
— Nozzle down
- - t burning = 24.5 [s]



Outline



□ Introduction

- Hybrid rocket motors
- Thermal protection systems

□ Experimental analysis

- Materials choice
- Experimental set-up
- Test matrix
- Test bench

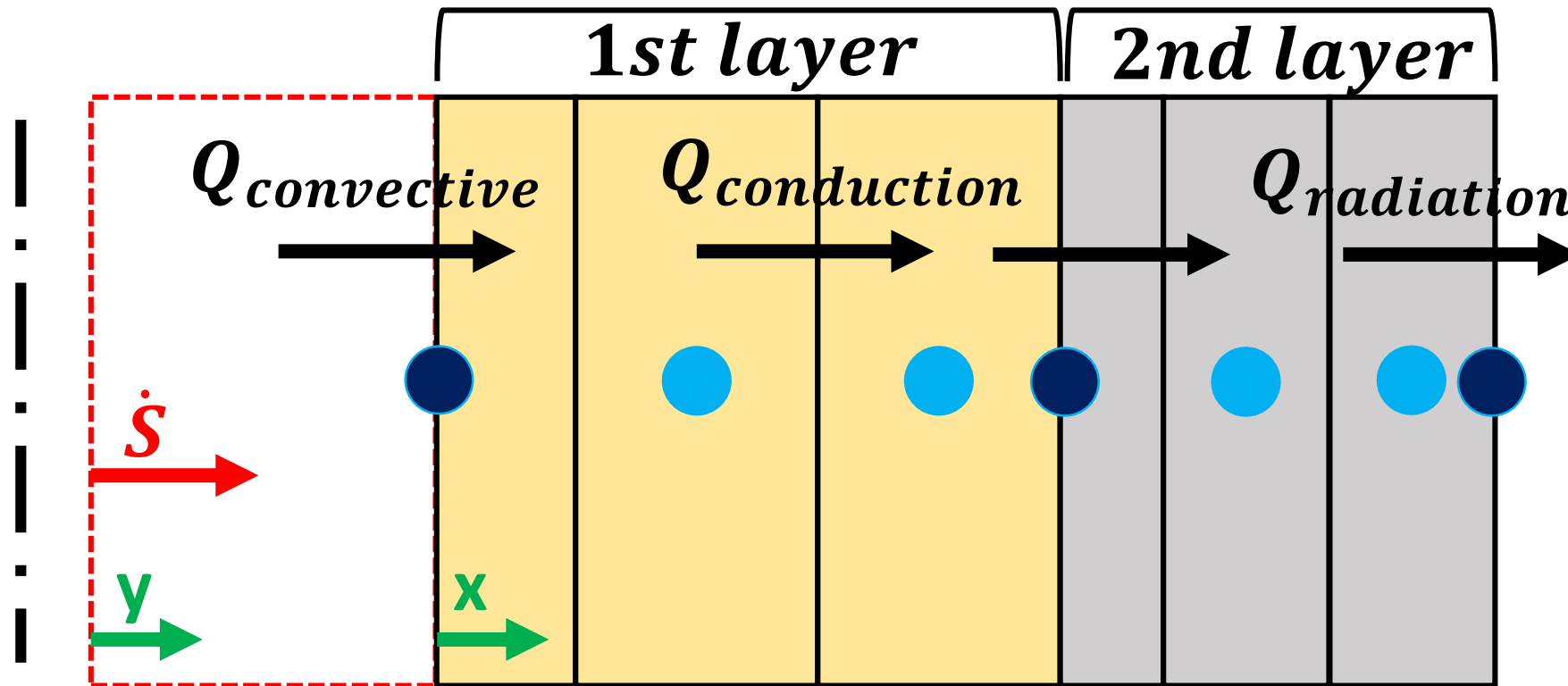
□ Experimental results

- Graphite erosion
- Cotton-phenolic erosion
- Materials interaction
- Temperature data

□ **1D ablation model**

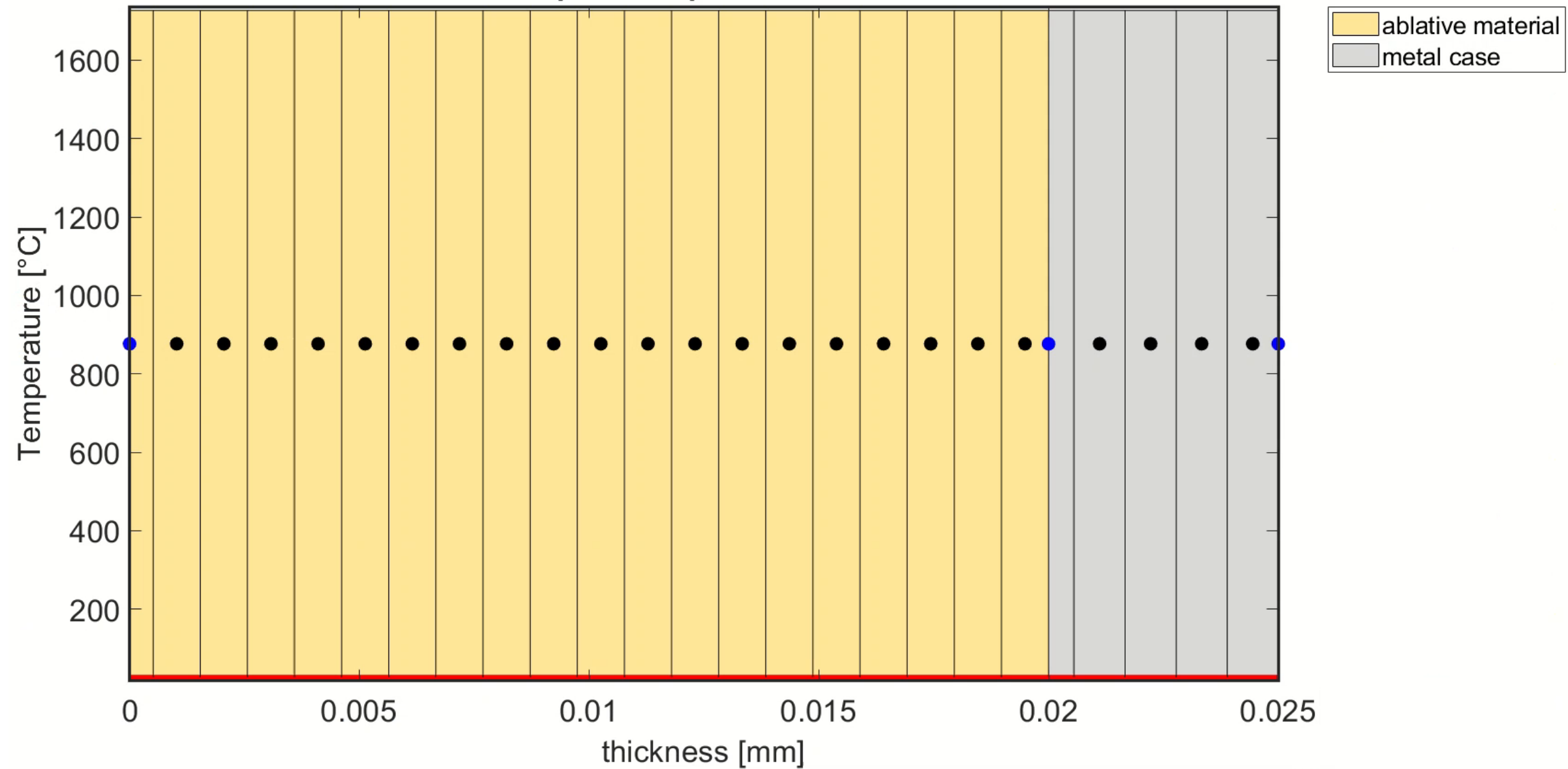
□ Future work

1D ablation model

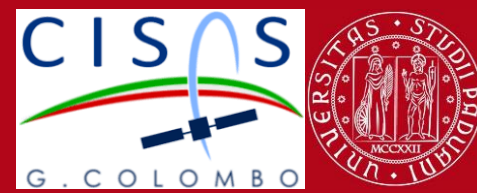


$$\rho c_p \left(\frac{\partial T}{\partial t} \right)_x = \frac{1}{A} \frac{\partial}{\partial x} \left(kA \frac{\partial T}{\partial x} \right)_t + (h_g - \bar{h}) \left(\frac{\partial \rho}{\partial t} \right)_y + \dot{S} \rho c_p \left(\frac{\partial T}{\partial x} \right)_t + \frac{\dot{m}_g}{A} \left(\frac{\partial h_g}{\partial x} \right)_t$$

Temperature profile at t = 0 s



Outline



□ Introduction

- Hybrid rocket motors
- Thermal protection systems

□ Experimental analysis

- Materials choice
- Experimental set-up
- Test matrix
- Test bench

□ Experimental results

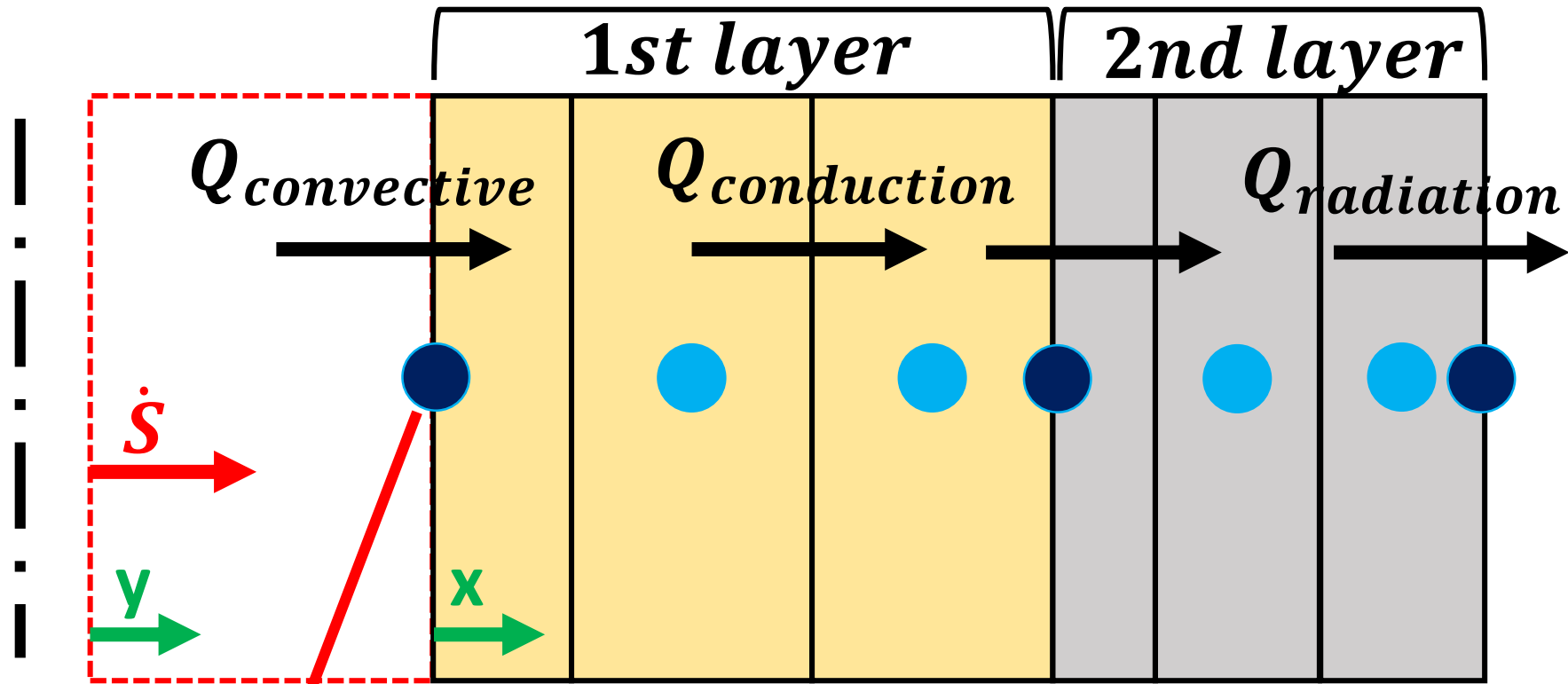
- Graphite erosion
- Cotton-phenolic erosion
- Materials interaction
- Temperature data

□ 1D ablation model

- Numerical results

□ Future work

Future work

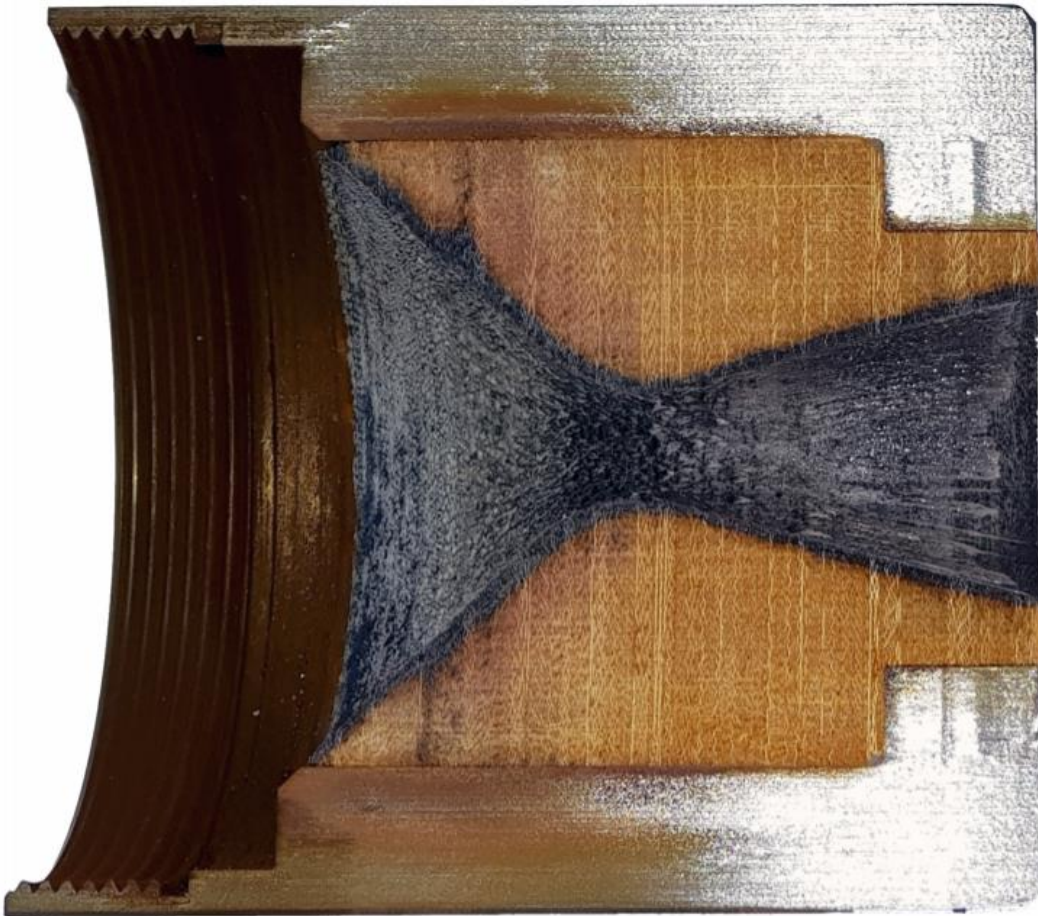


SURFACE ENERGY BALANCE → thermochemical code (CEA)

Decomposition process & material properties

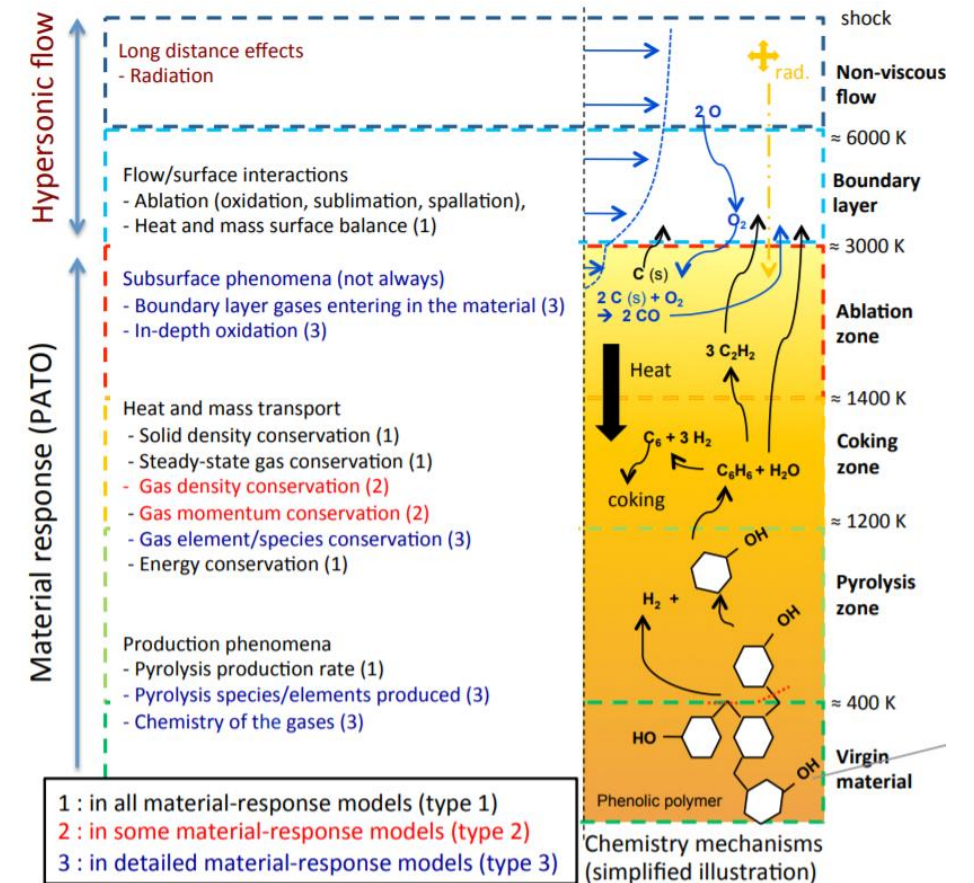
EXPERIMENTAL ANALYSIS

CARBON-PHENOLIC & SILICA PHENOLIC



NUMERICAL ANALYSIS

Porous material Analysis Toolbox (PATO)



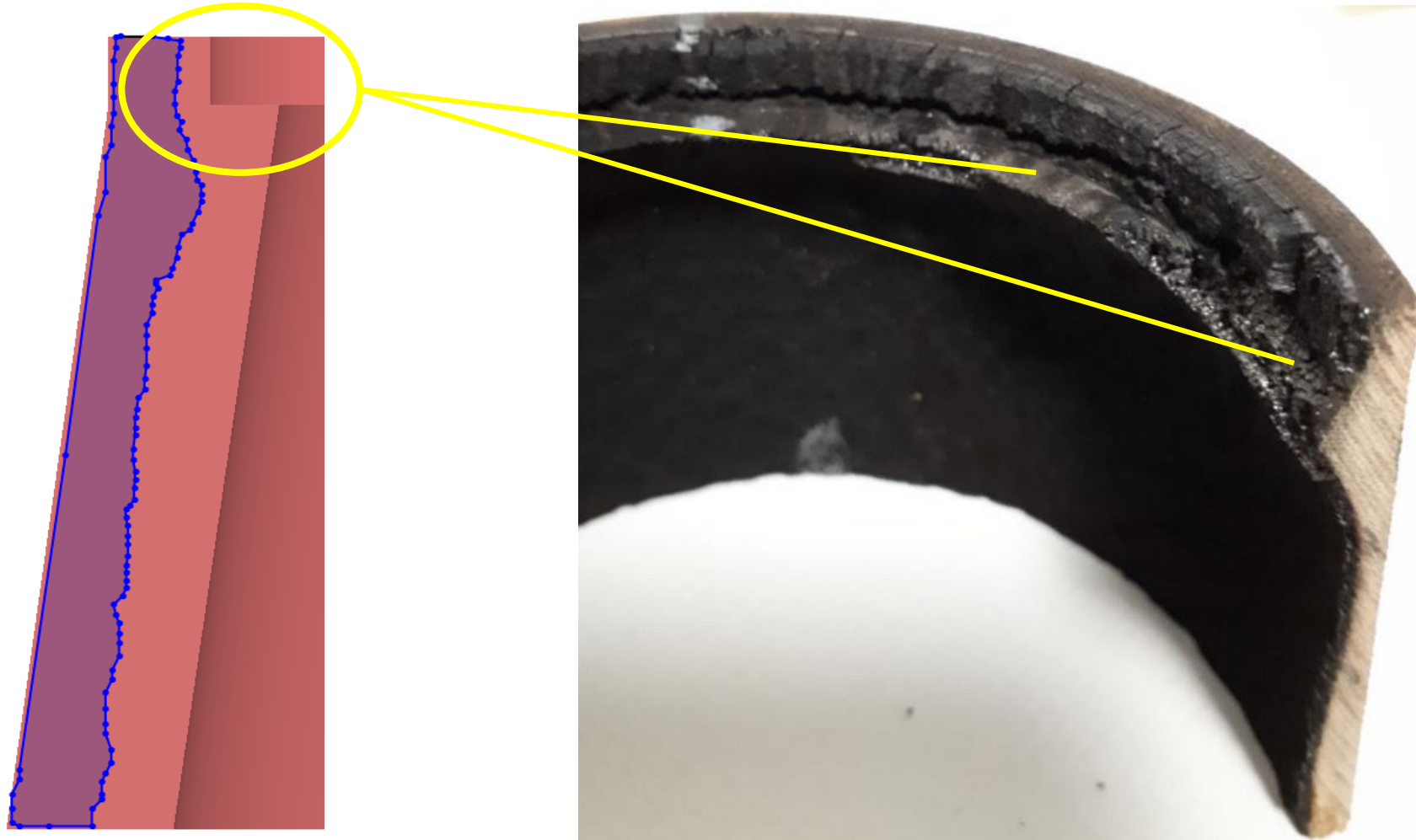
Thank you for your time! Any questions?

Extra

Materials interaction

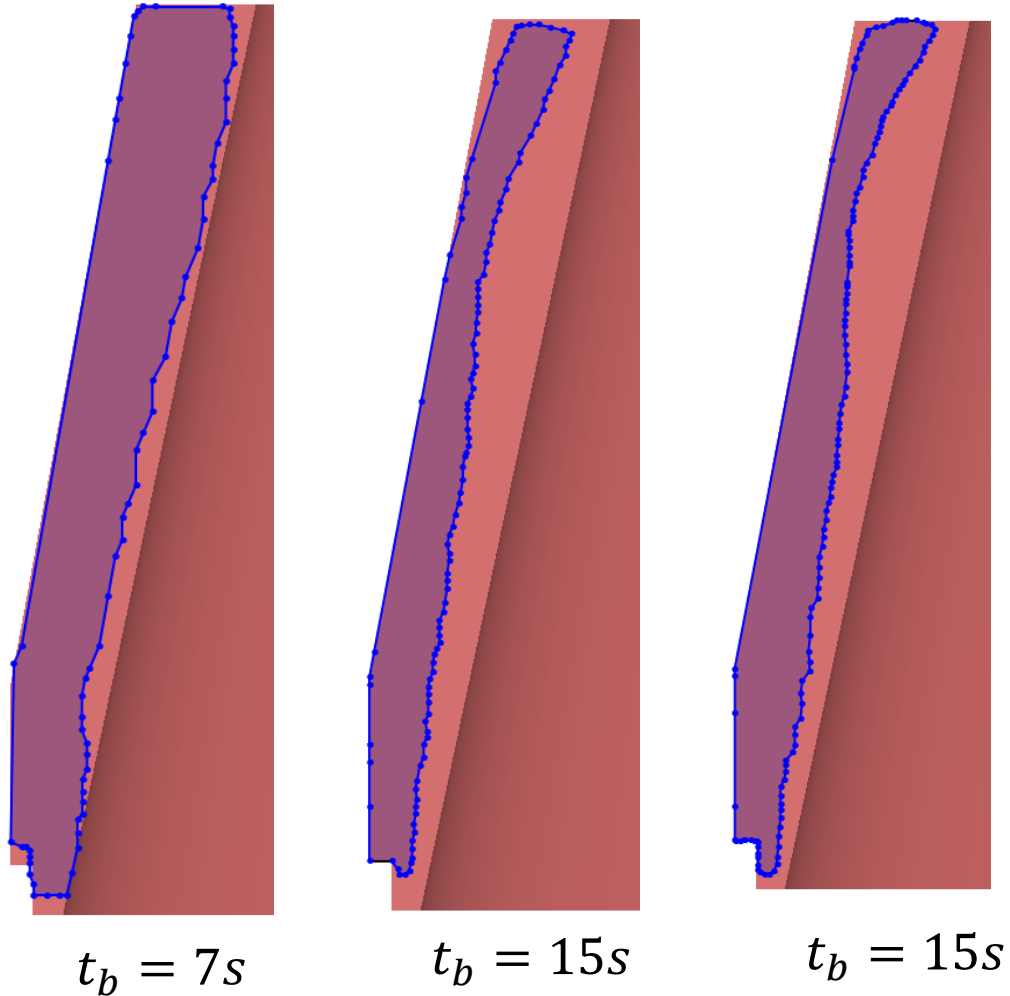


Cotton phenolic erosion

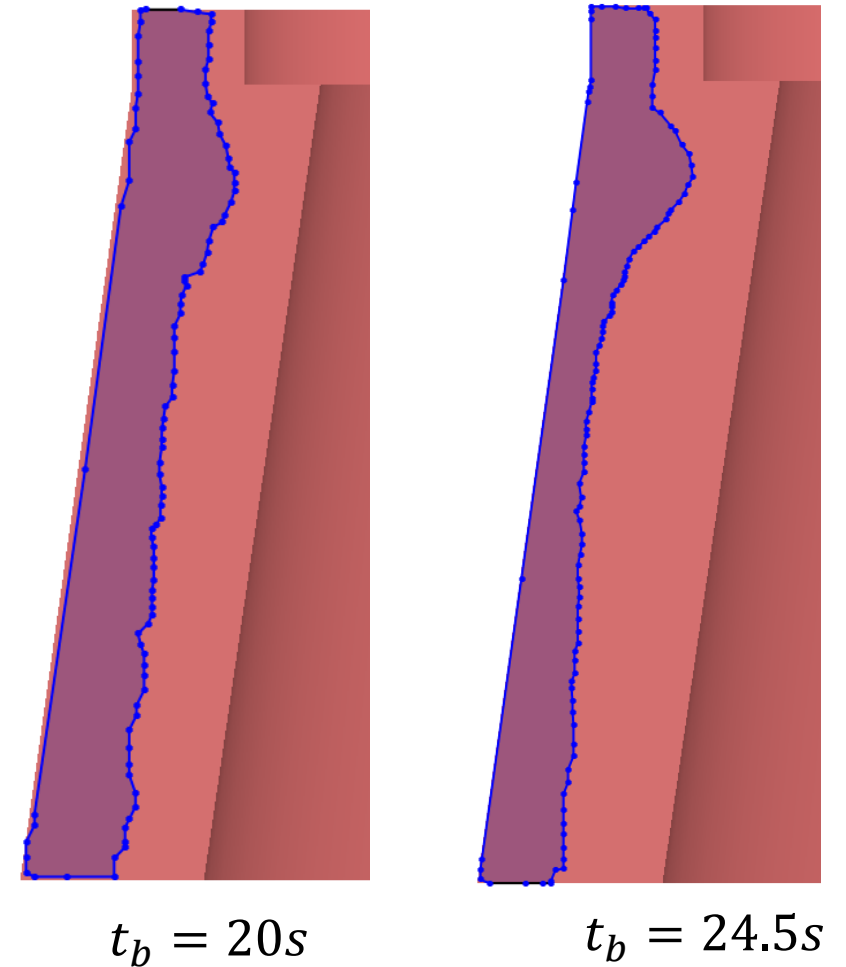


Cotton phenolic erosion

Configuration 1

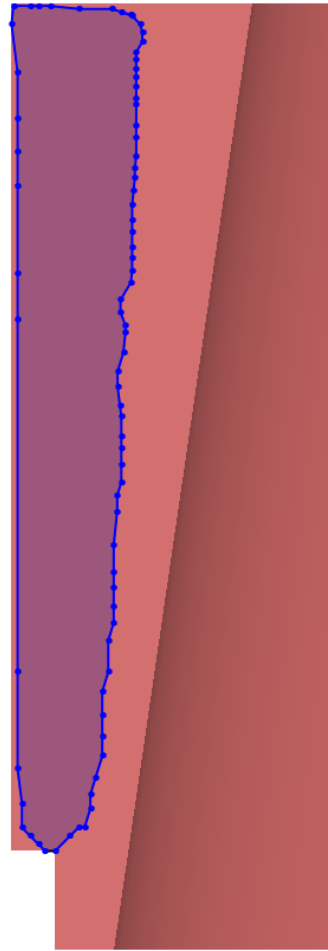


Configuration 2

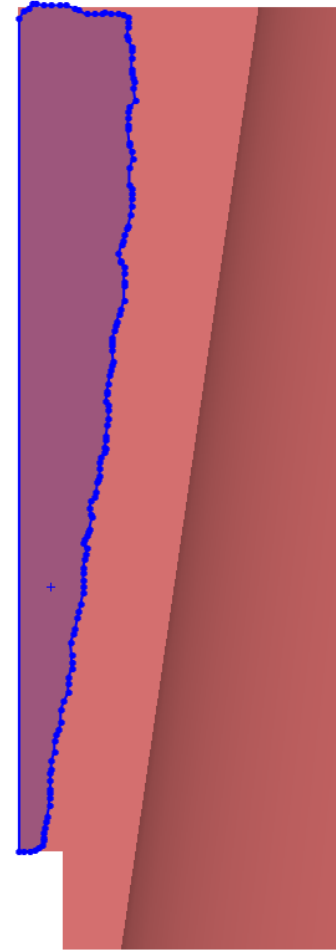


Cotton phenolic erosion

Configuration 2



$t_b = 20s$



$t_b = 24.5s$