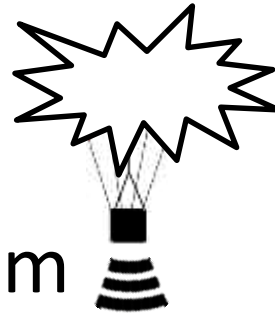
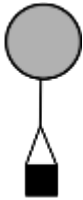


**BALLOON PLATFORM  
FOR  
HIGH ALTITUDE RESEARCH**



System  
Details



---

**UPRA-ReHAB**  
project

Tests and  
Future Development

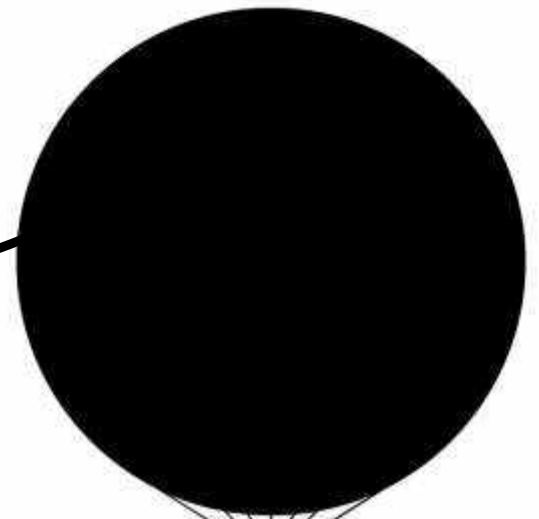
-usable

igh **ReHAB**

ltitude

alloon

Weather Balloon  
Recovery Parachute



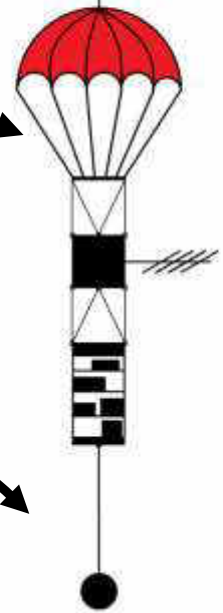
**ReHAB** Service Module



Science Payload



Backup Tracker Module

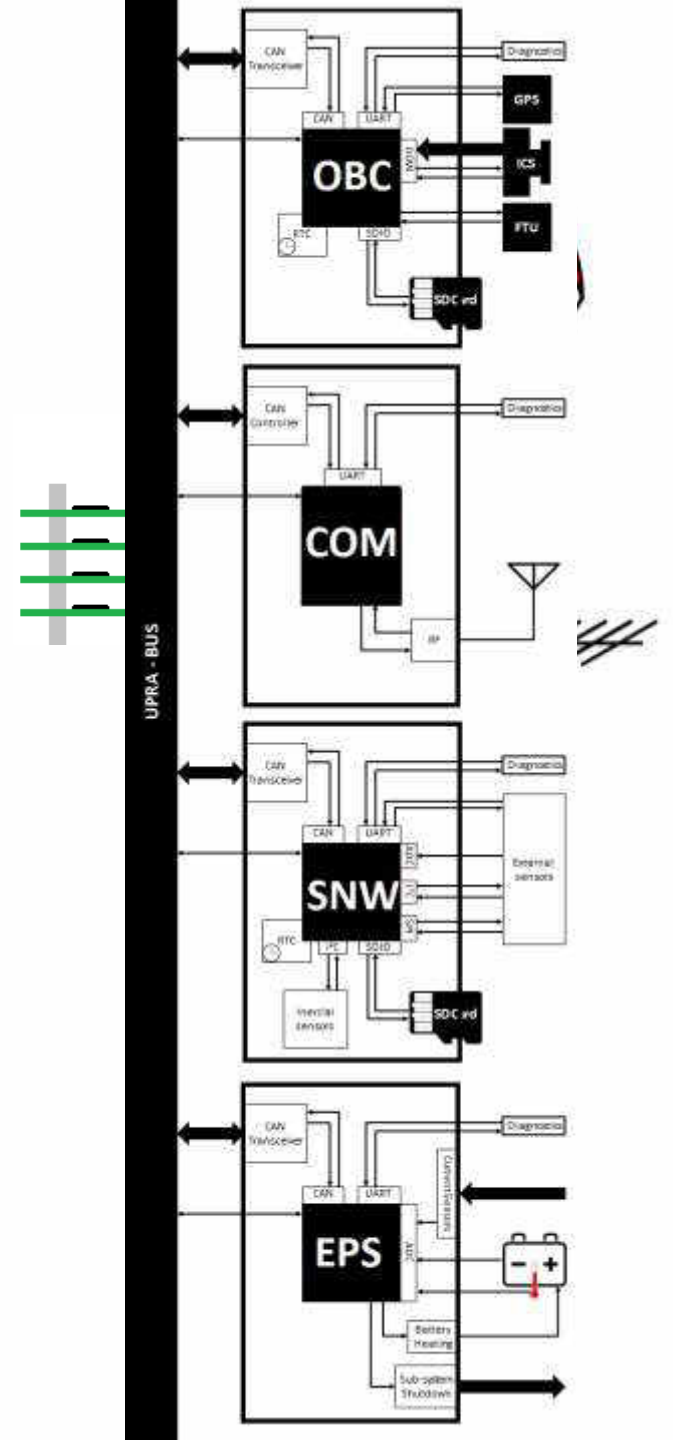


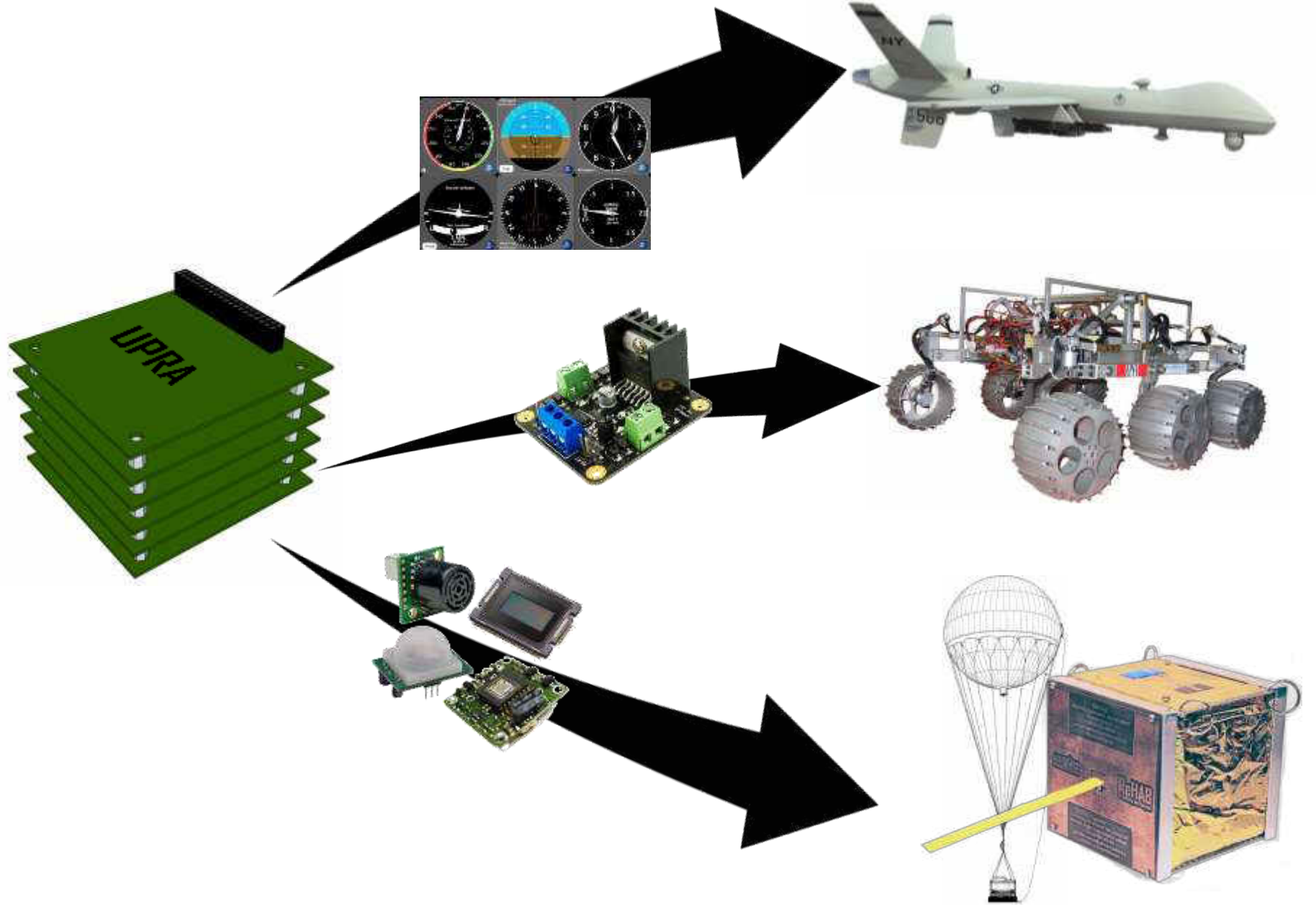
universal

platform for R A

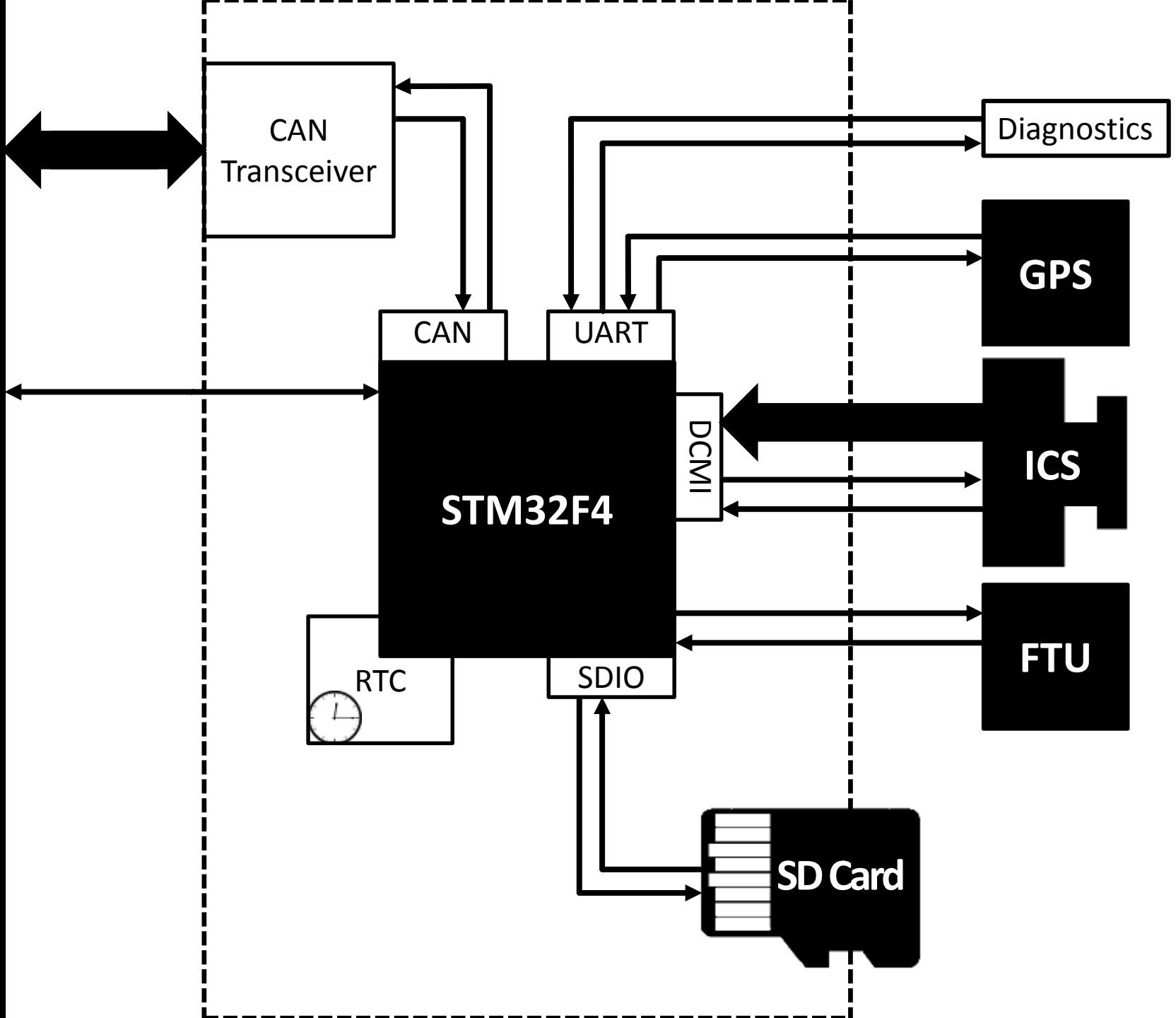
robotics and Flight Computer

aerospace



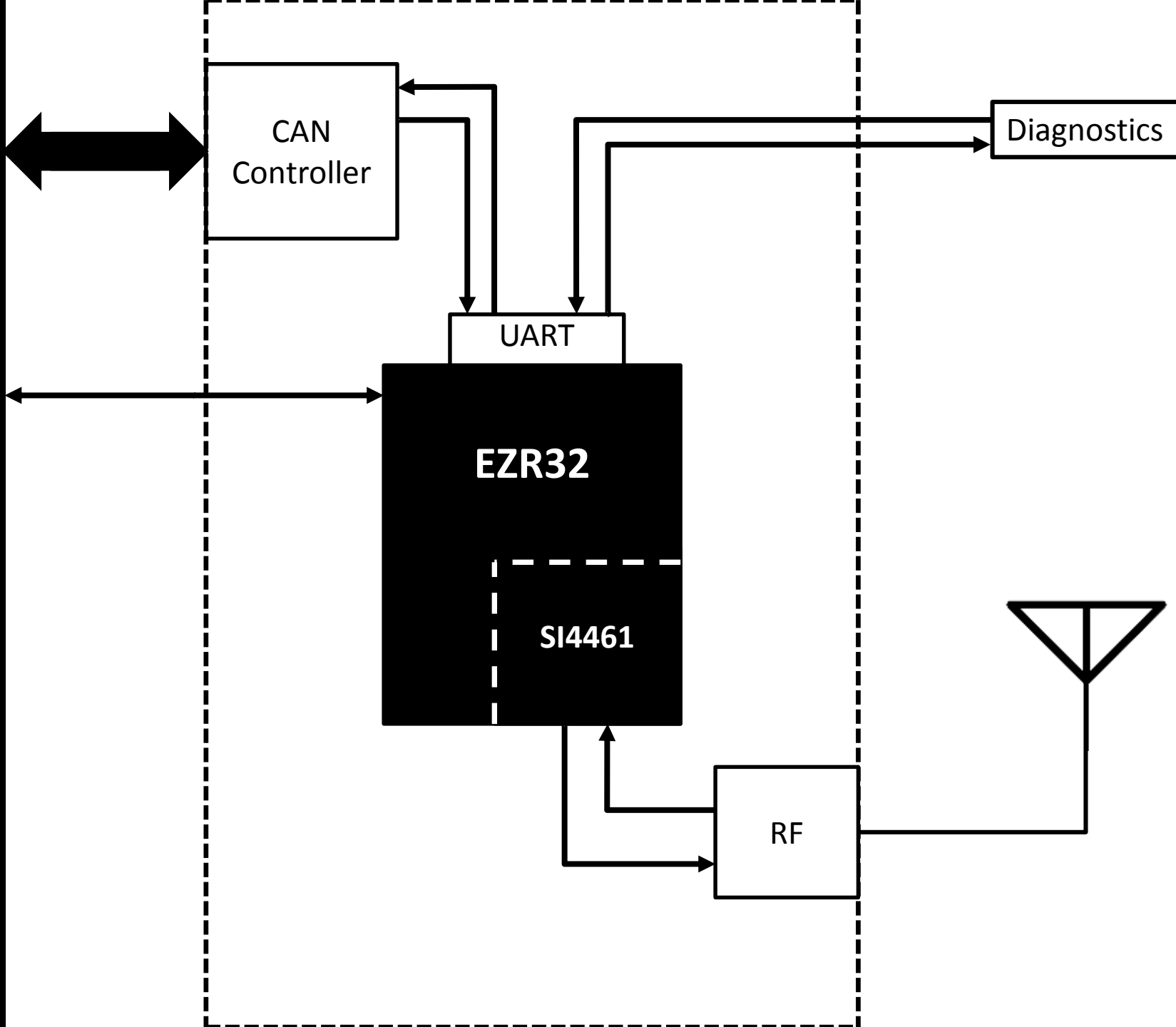


**UPRA - BUS**

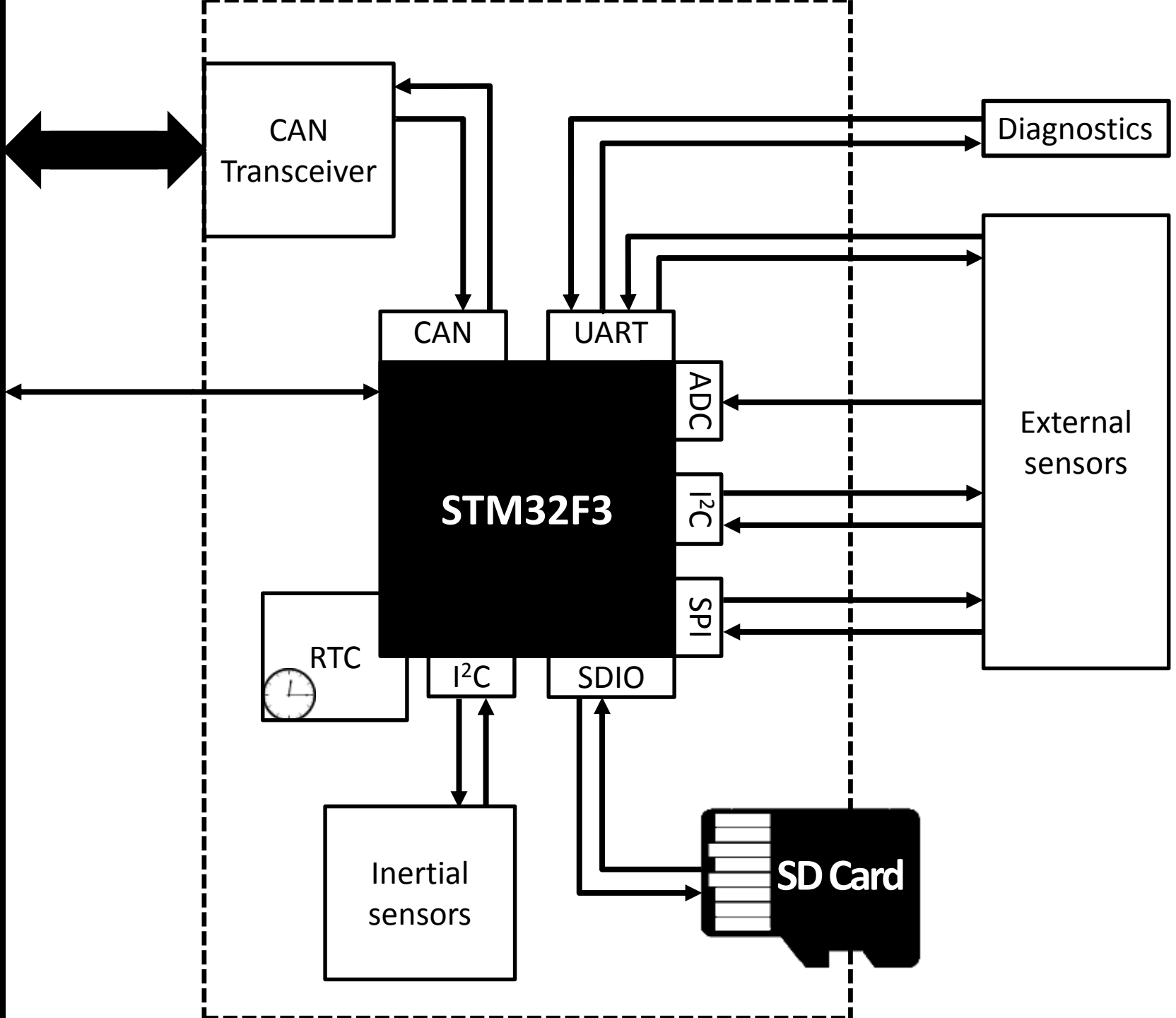




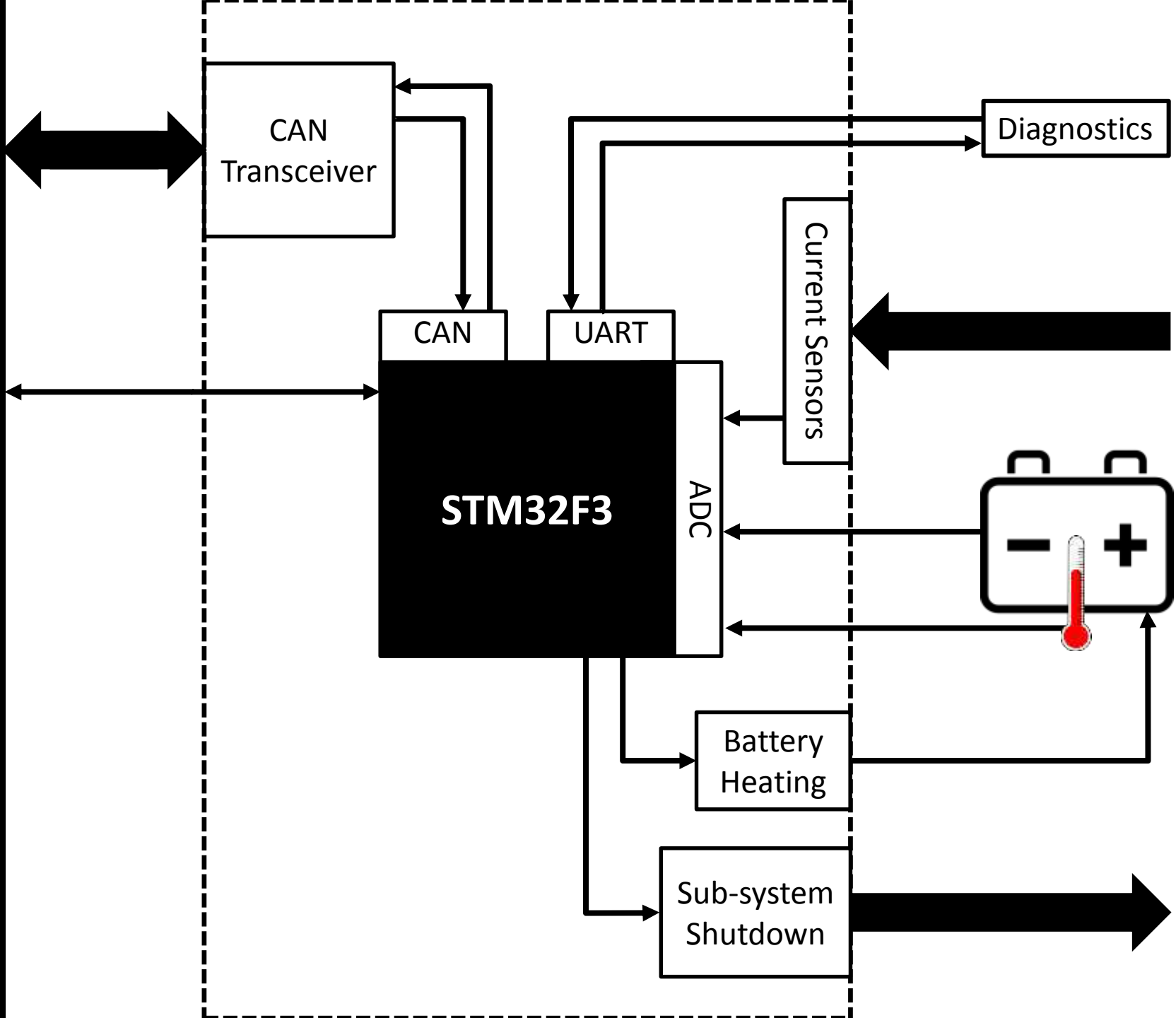
**UPRA - BUS**

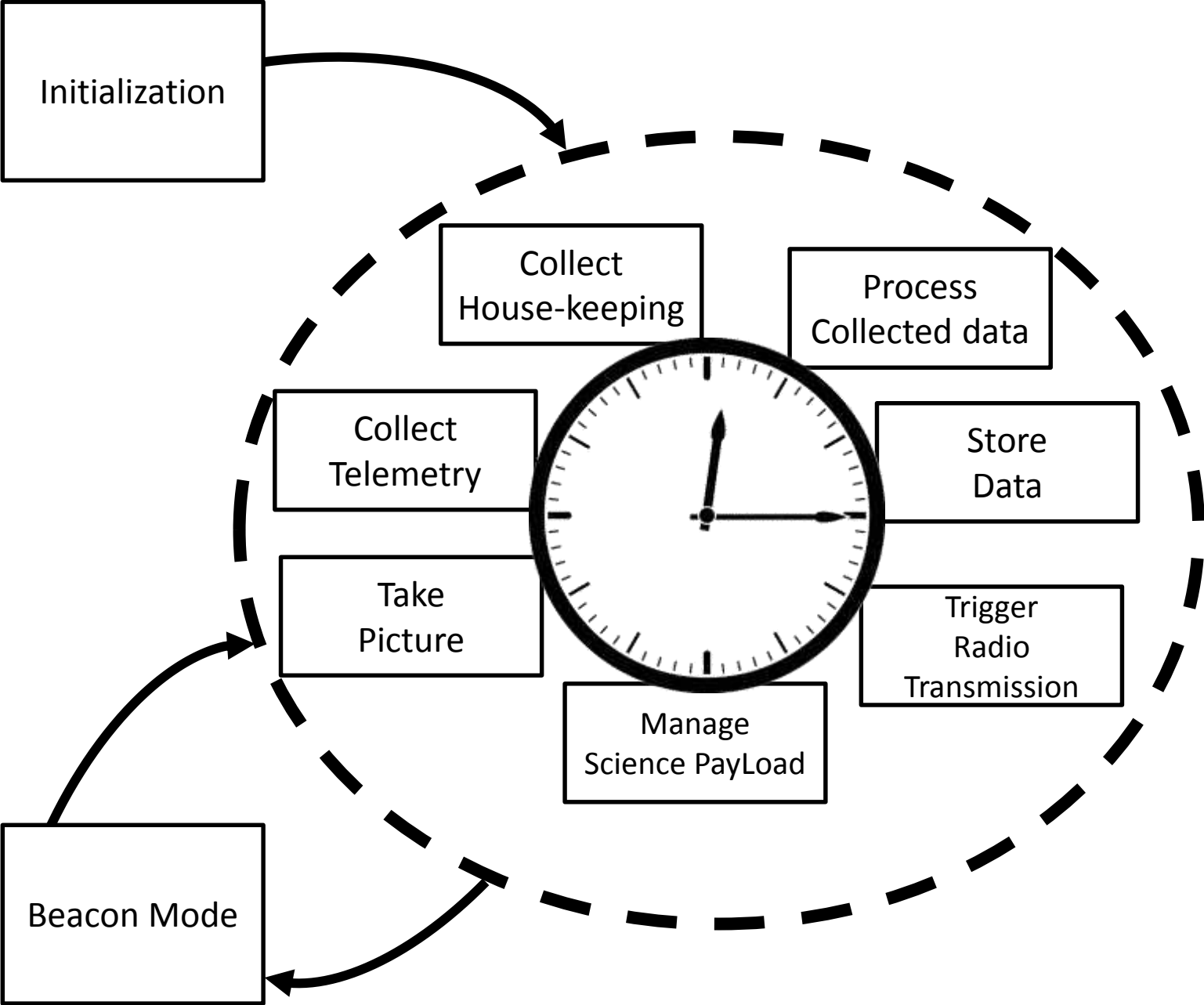


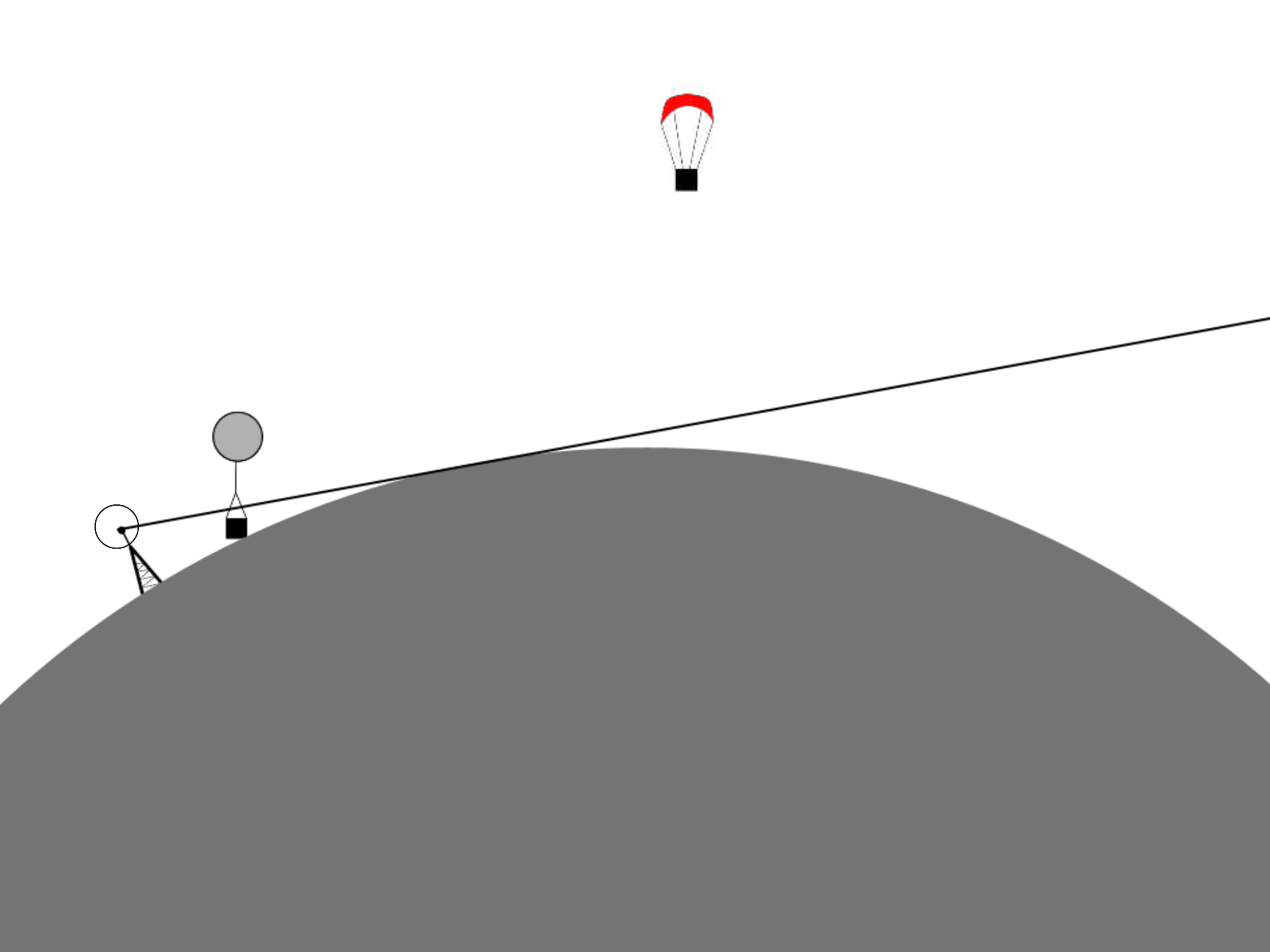
# UPRA - BUS

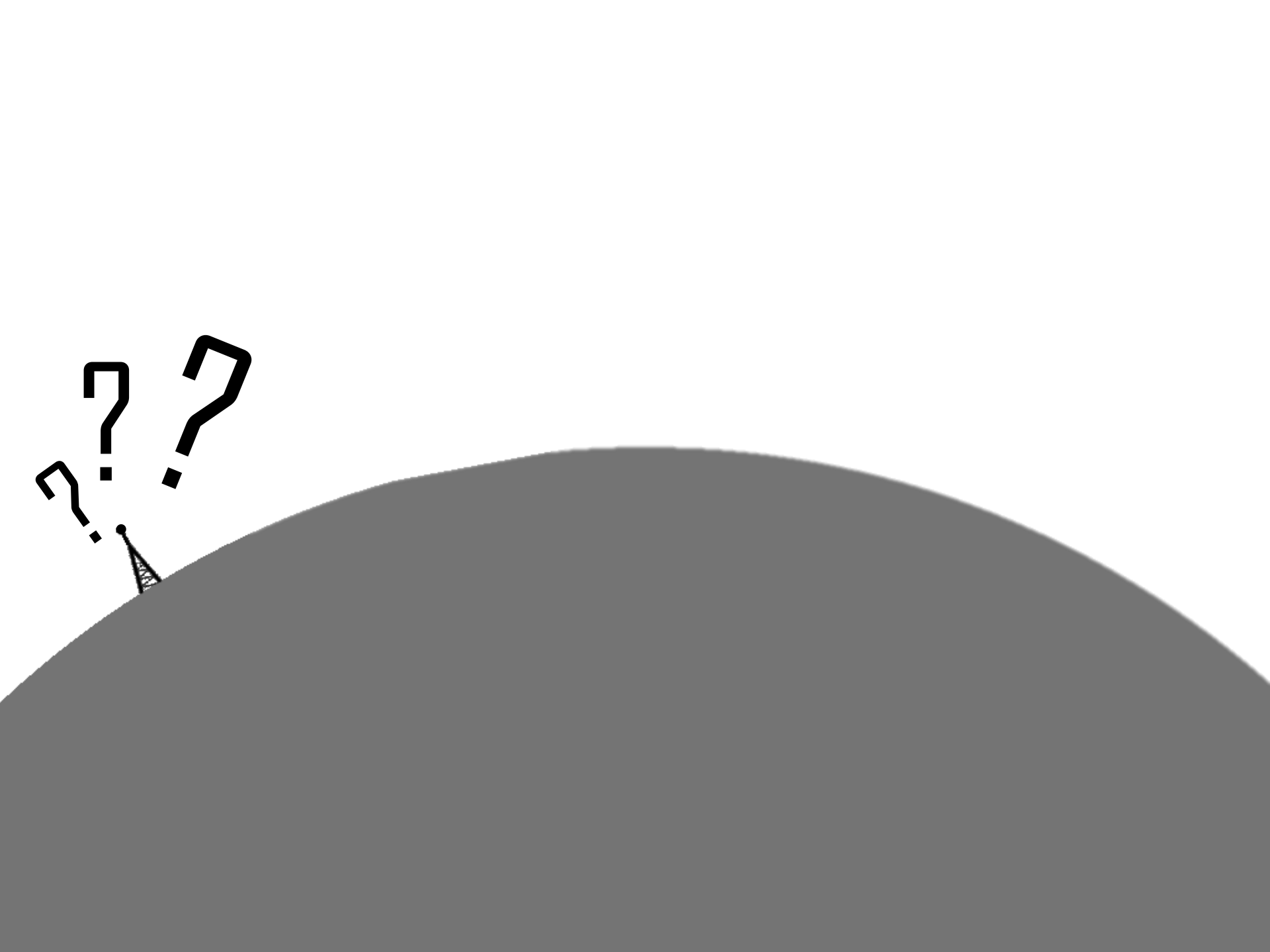


# UPRA - BUS

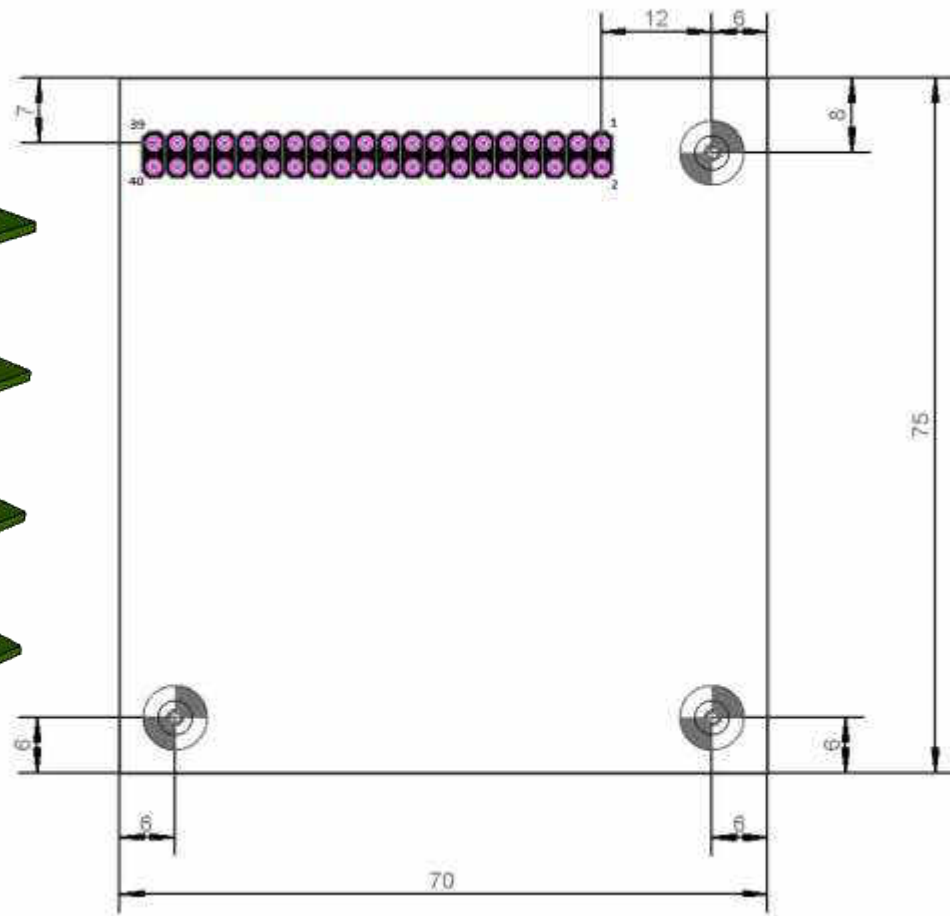
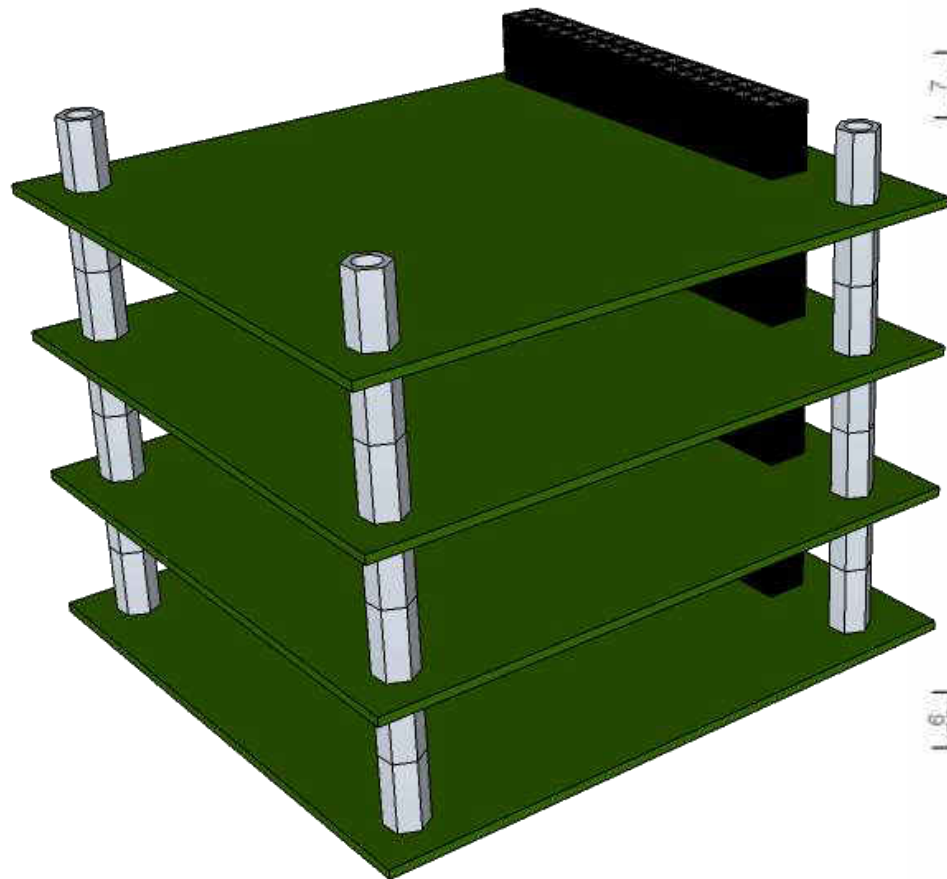




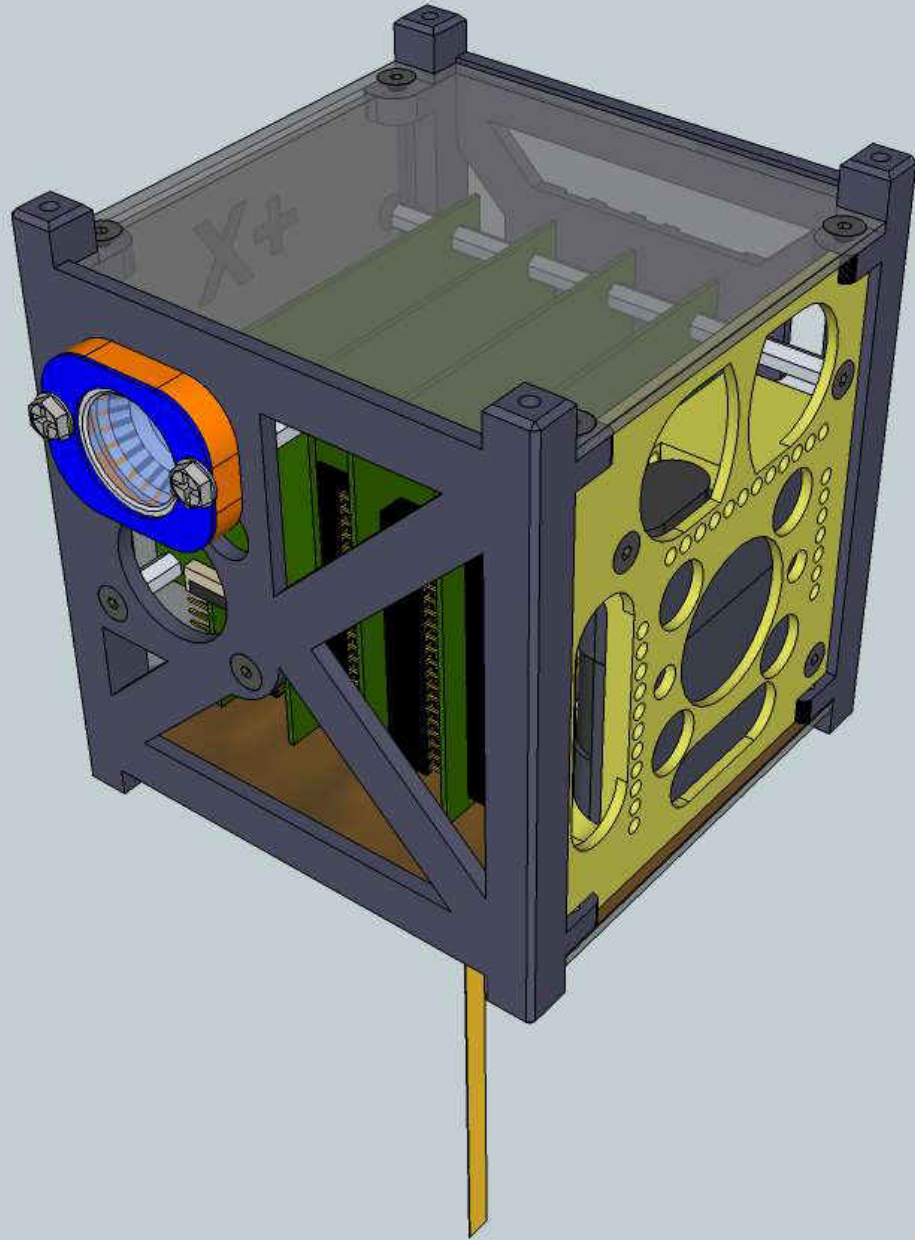


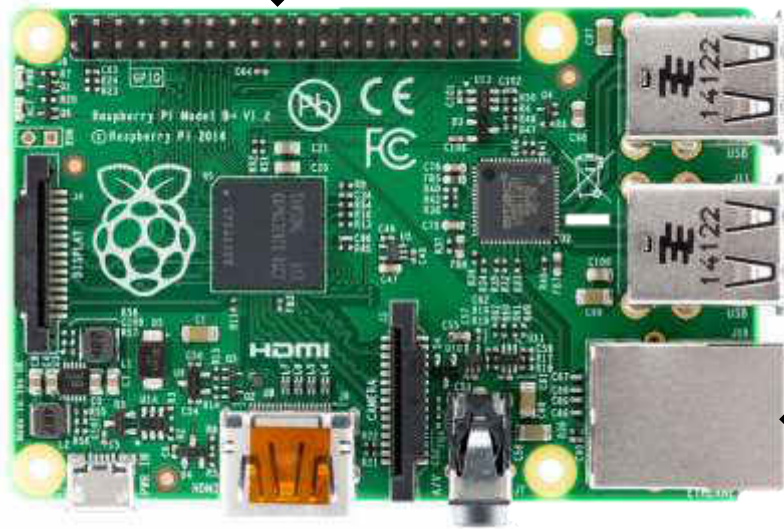
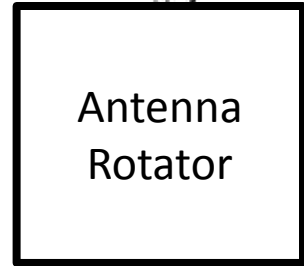
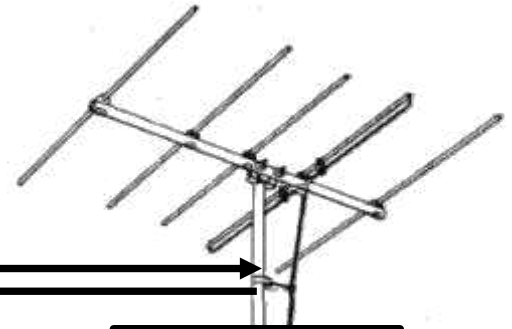
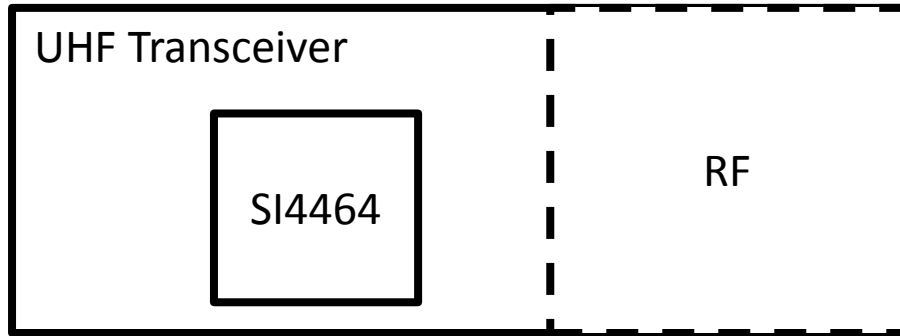




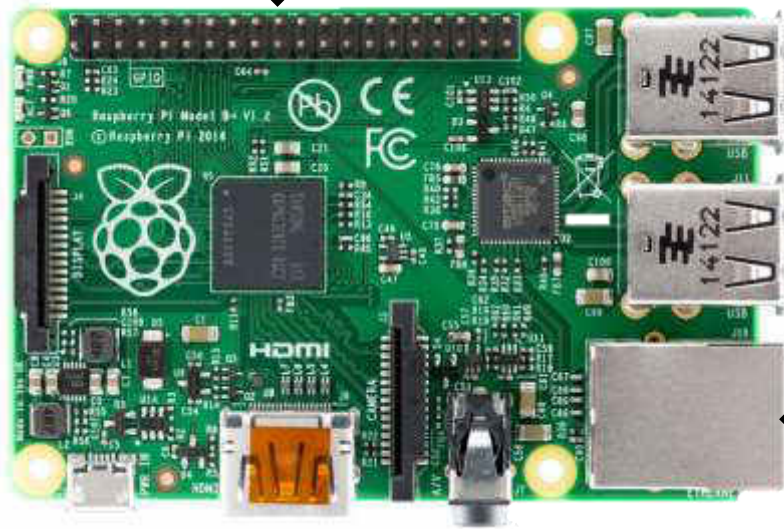
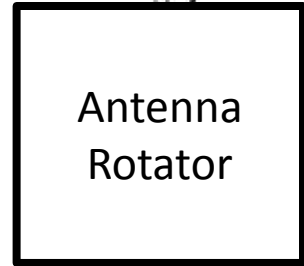
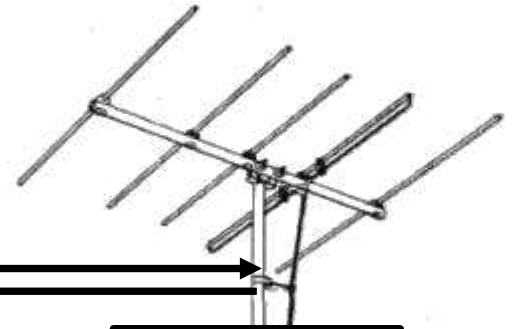
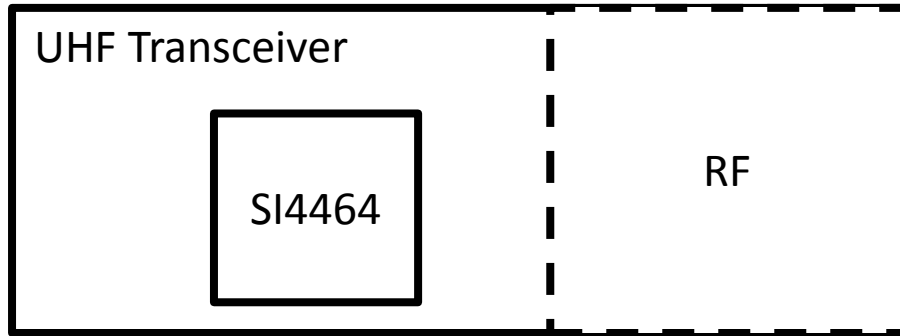




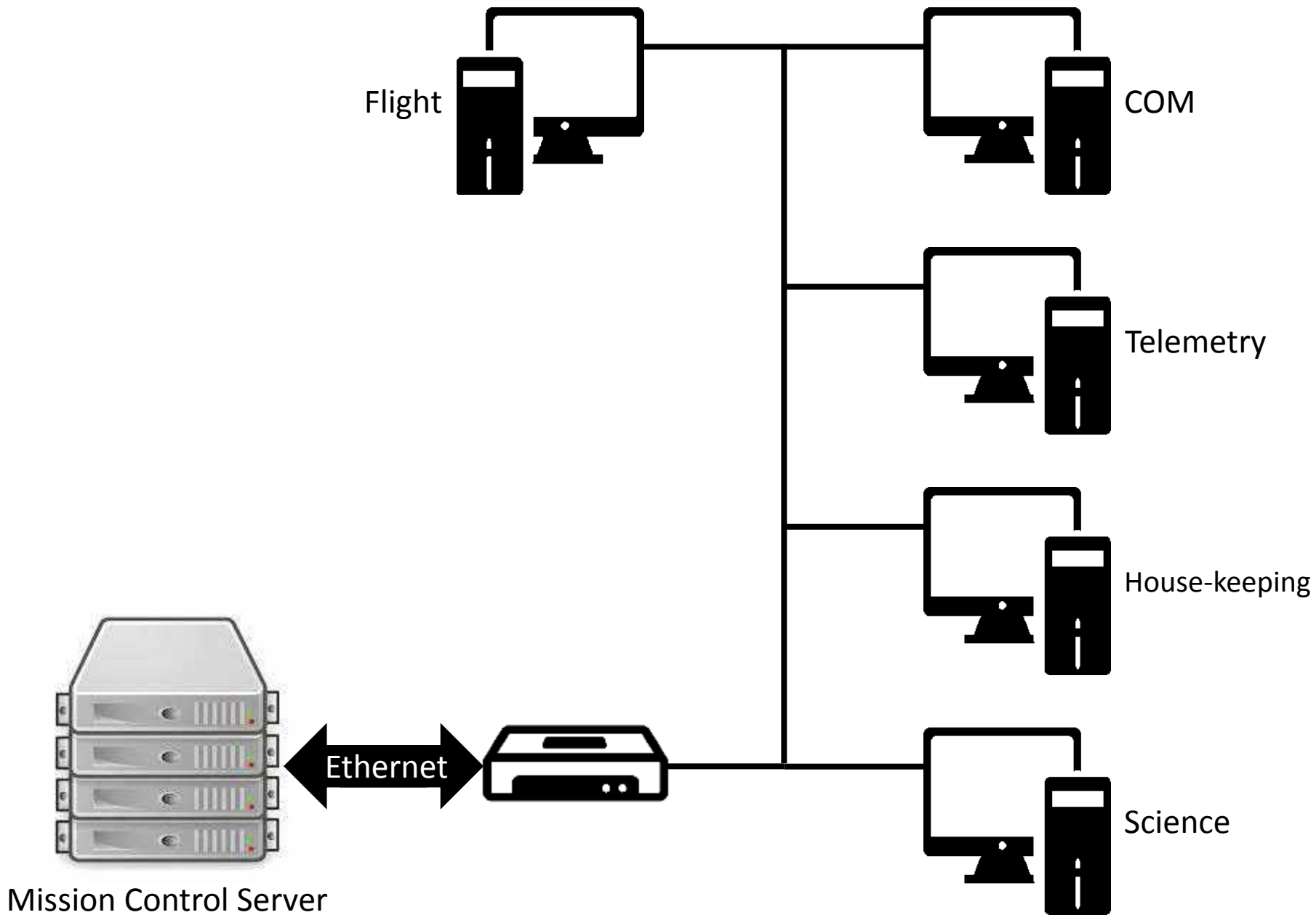




Mission Control Server



Mission Control Server



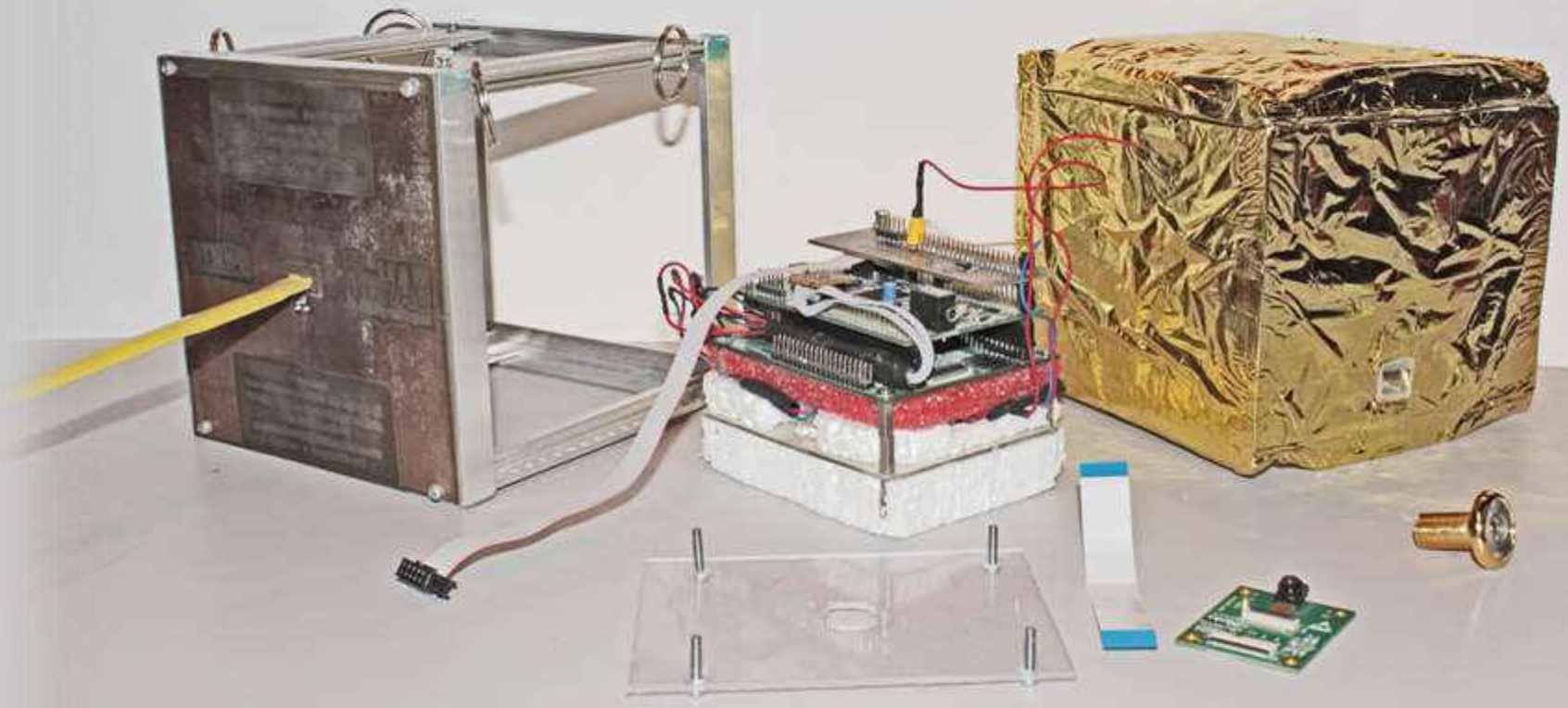
# Testflight 1



Simonyi  
Conference



ReHAB - 150 - proto



# Testflight 2



GLOBAL SPACE BALLOON CHALLENGE

ReHAB - 150 - v.1.0

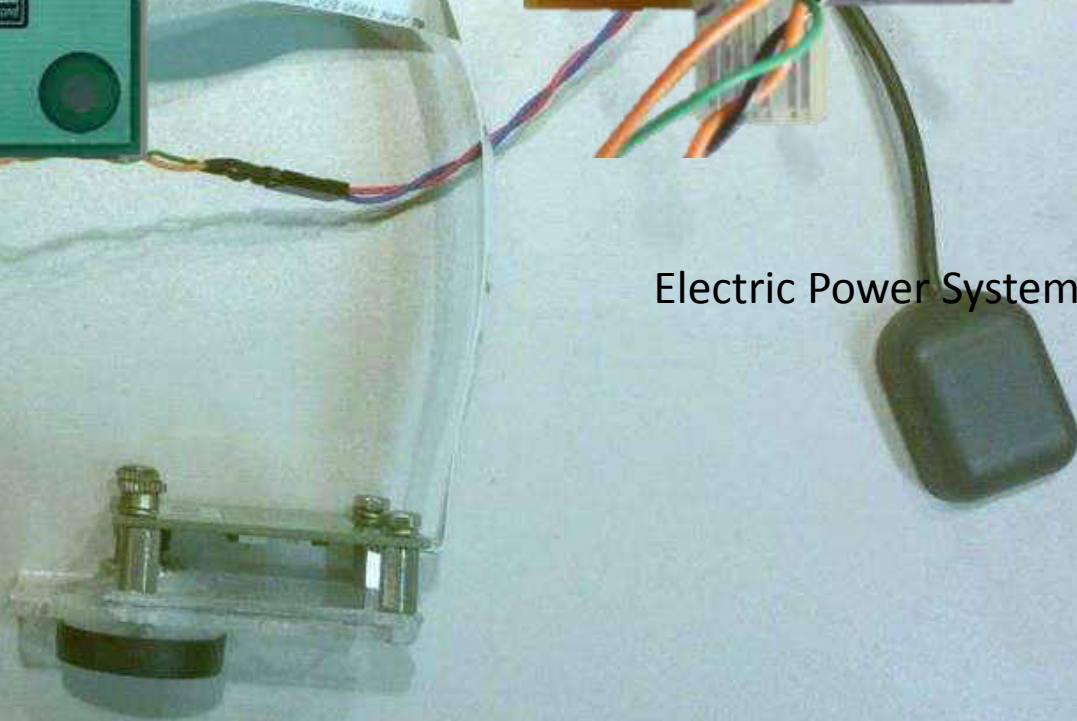
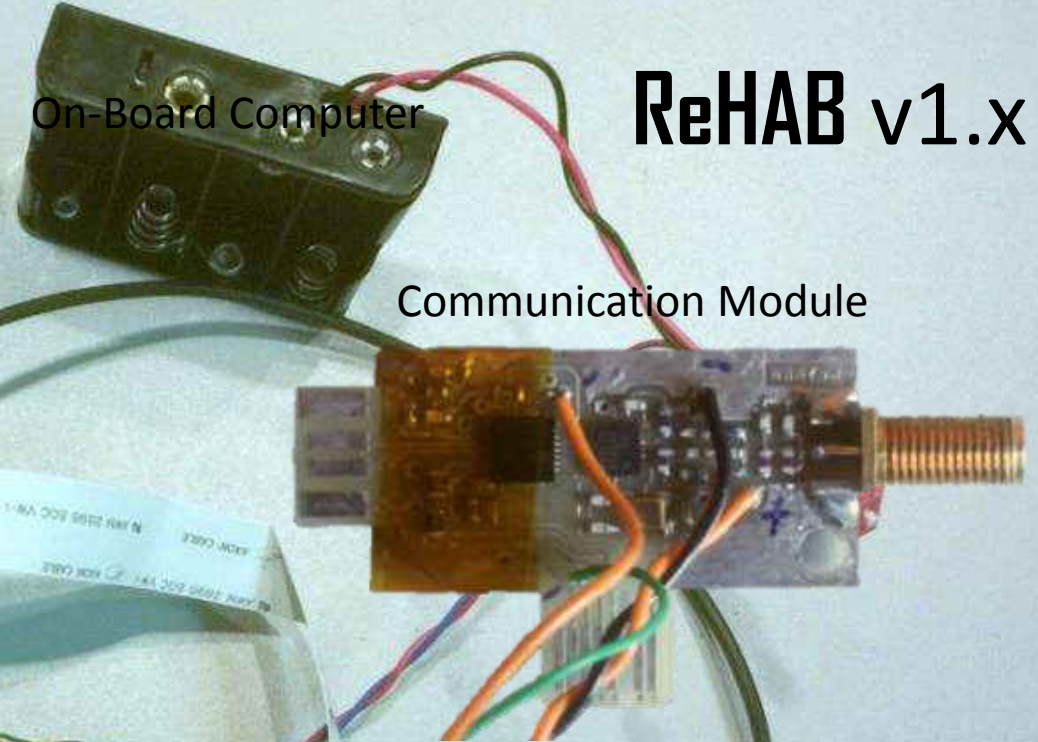
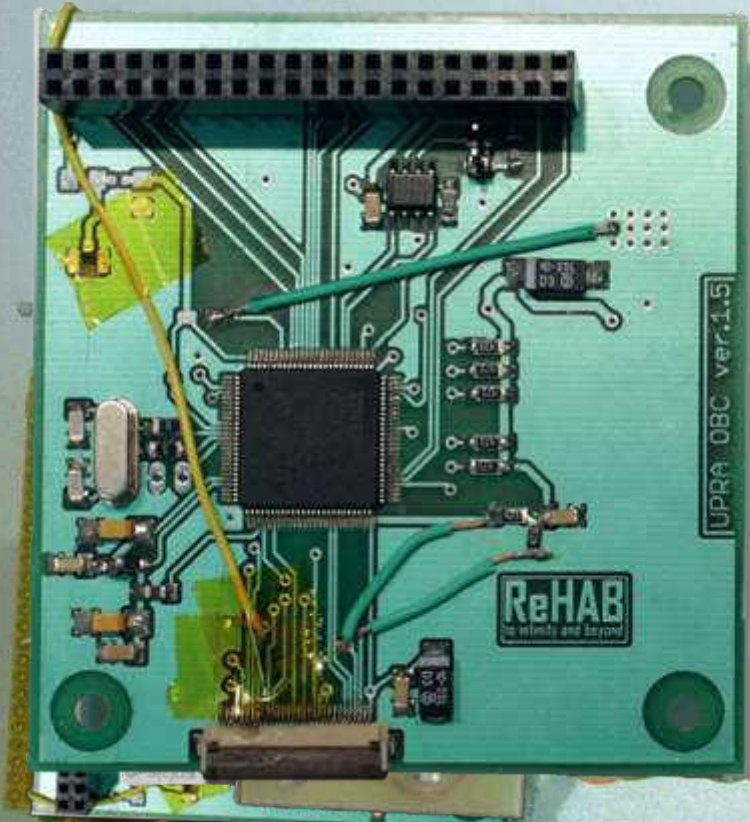
# ReHAB v1.x

On-Board Computer

Communication Module

Electric Power System

GPS Module

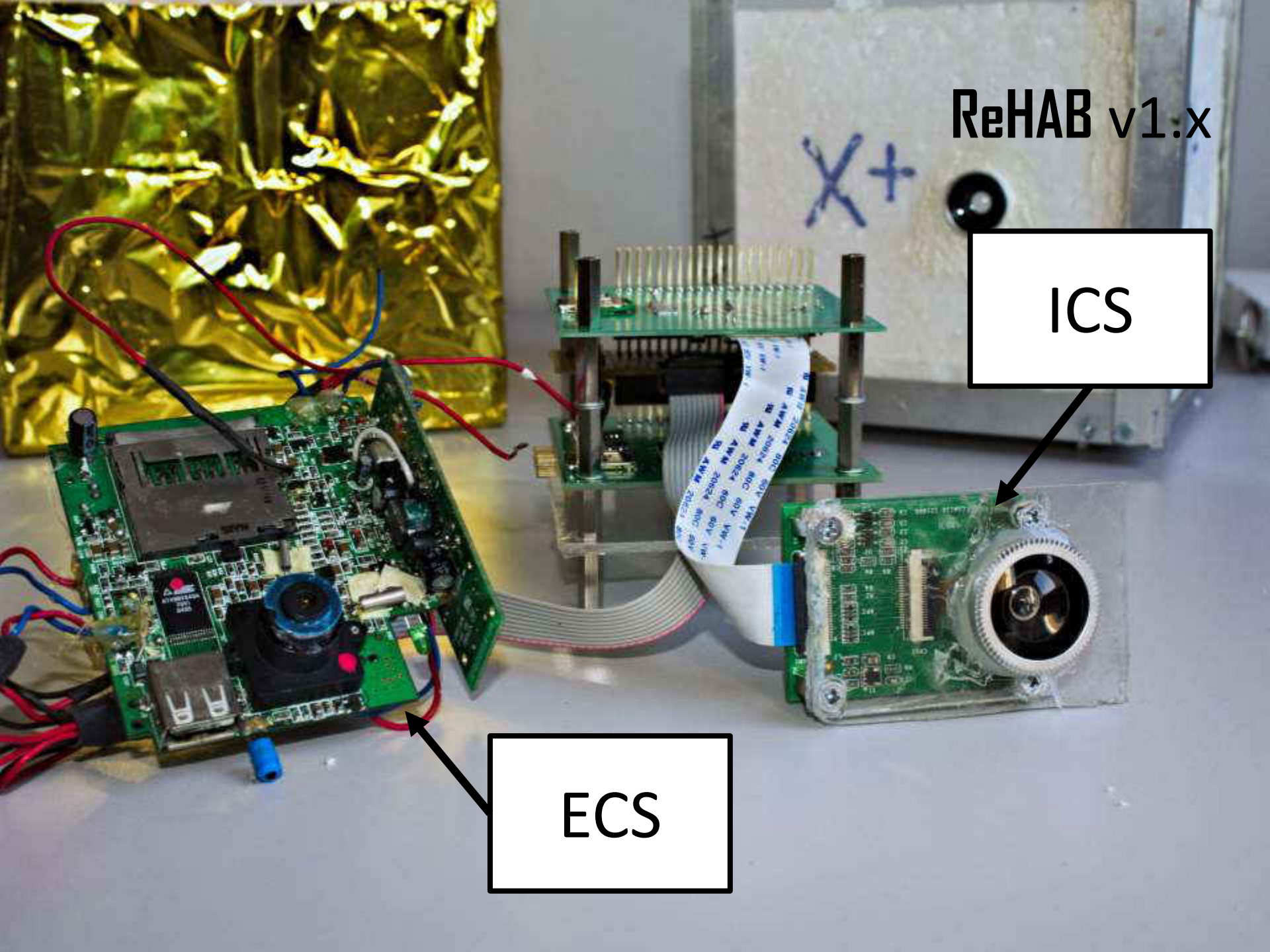




ReHAB v1.x

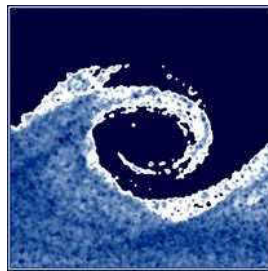
ICS

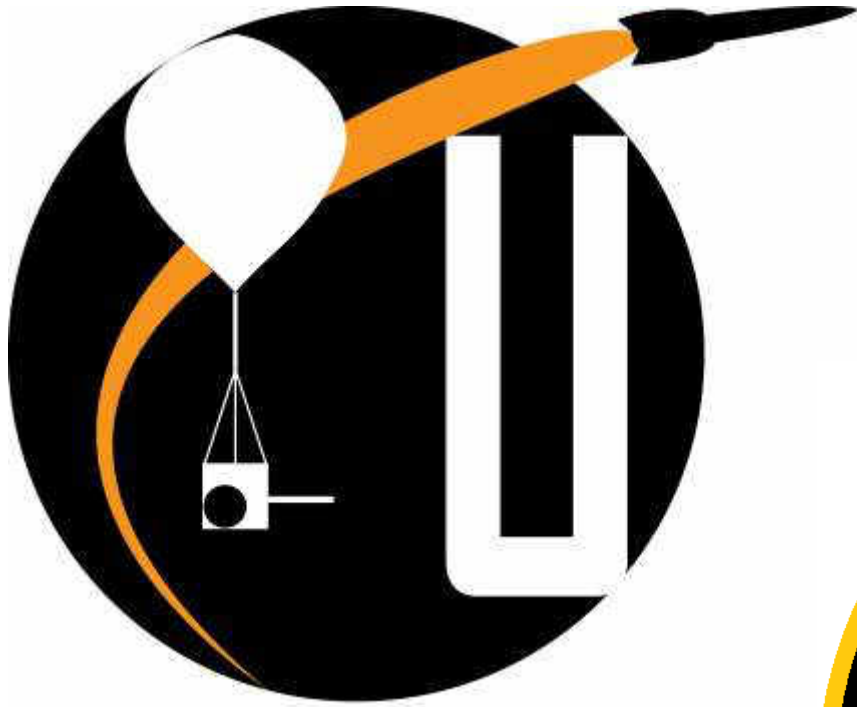
ECS











UPRA.SCH.BME.HU



